

Drainage, Sand and Slurry Pumps

Professional Submersible Pumps



Submersible Contractors Dewatering Pump

DanPumps TBZ

TBZ-series robust pumps are best suited for draining in civil engineering, but can also be used for general pumping purposes.

The motor and pump casing are made of rigid cast iron for long-lasting durability. Maximum submersion depth is greatly increased due to a mechanical seal resistant to high pressure. The semi-open impeller is made of high chrome alloy and in combination with a wear plate (made of ductile iron) it achieves superior durability.

Effective motor cooling is due to execution of a discharge channel integrated into the motor housing. The space saving design is due to a top outlet.

Discharge outlet sizes range from 50 mm to 150 mm, with a motor range from 1.5 kW to 15 kW. Hermetically sealed motors below 15 kW are equipped with built-in thermal protection.



Technical Specifications:

- Capacity: up to 156 m³/h
- Head: up to 56 meters
- Power: 1.5 kW to 15 kW
- Power supply: Three phase 400 V± 10 %, 50 Hz
- Insulation class: F
- Protection class: IP68
- Cable length: 20 m
- Water temperature: up to 40°C
- Max. water depth: 25 m

Application:

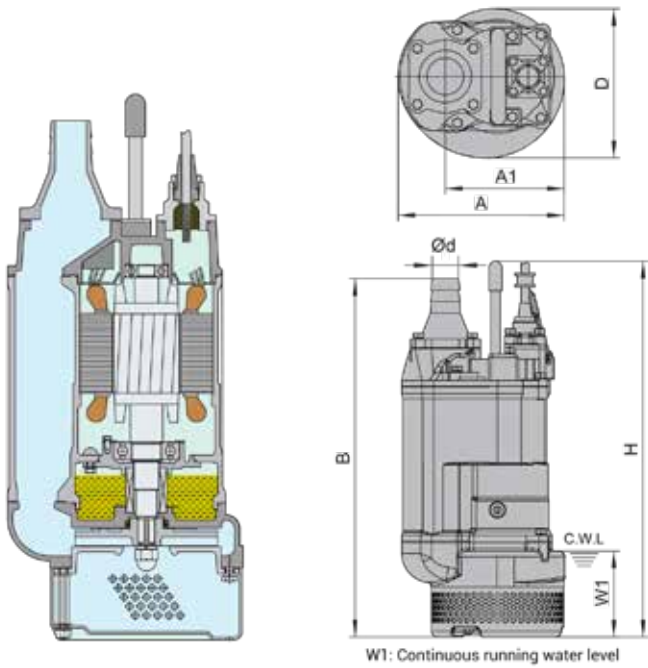
- Construction sites
- Mining and industrial sites
- Drainage of contaminated water
- General pumping purposes

Optional Features:

- Other voltages
- Other length of cable

Dimensions and Weight:

Model (50Hz)	d mm	A mm	A1 mm	B mm	D mm	H mm	W1 mm	N.W. kg	G.W. kg	Packing dimension mm
50TBZ1.5	50	235	173	535	216	505	120	36	40	620x265x275
80TBZ1.5	80	235	173	535	216	505	120	36	40	620x265x275
50TBZ2.2	50	235	173	535	216	505	120	39	43	620x265x275
80TBZ2.2	80	235	173	535	216	505	120	39	43	620x265x275
50TBZ3.7	50	283	208	628	252	629	150	63	68	710x320x295
80TBZ3.7	80	283	208	628	252	629	150	63	68	710x320x295
100TBZ3.7	100	283	208	642	252	629	150	63	68	710x320x295
80TBZ5.5	80	329	240	671	300	590	150	77	84	750x350x335
100TBZ5.5	100	329	240	686	300	590	150	77	84	750x350x335
100TBZ7.5	100	330	240	764	314	676	190	106	116	835x365x385
150TBZ7.5	150	330	240	790	314	676	190	108	119	865x365x385
100TBZ11	100	373	255	807	350	695	190	136	148	855x415x435
150TBZ11	150	373	255	807	350	695	190	139	150	855x415x435
100TBZ15	100	373	255	842	350	755	190	144	158	905x415x435
150TBZ15	150	373	255	842	350	755	190	146	160	905x415x435



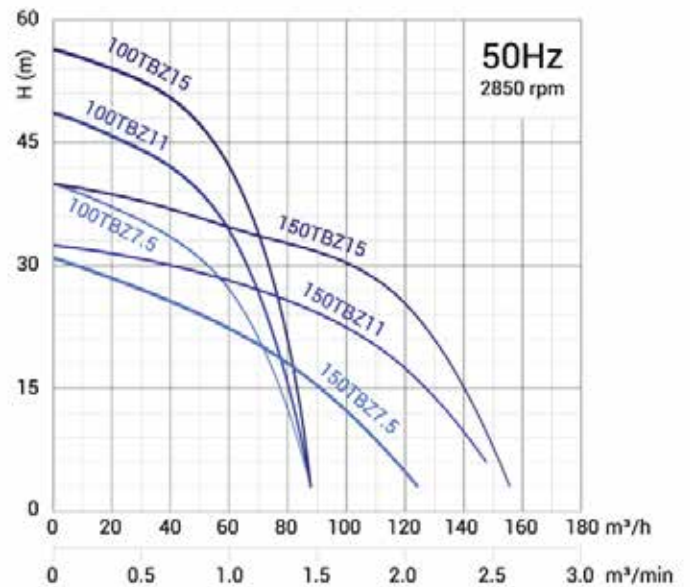
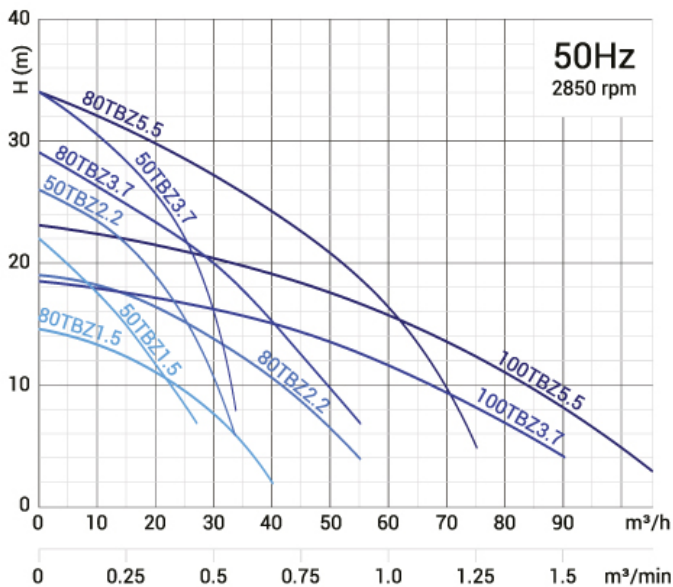
Material of Construction

Part name	Material
Hose coupling	Cast iron
Handle	Rubber & steel
Upper cover	Cast iron
Motor body	Cast iron
Pump body	Cast iron
Impeller	High chrome alloy
Inlet plate	Ductile iron
Strainer	Steel
Stator	
Rotor	Shaft: AISI420SS
Bearing	Ball bearing
Bearing	Ball bearing
Motor protector	
Mechanical seal	Sic-Sic/Carbon-Sic (2.2 kW); Sic-Sic/Sic-Sic (≥3.7 kW)
Oil Seal	
Cable	

Performance Range

Model (50Hz)	Outlet mm	Motor power		Rated current (400V) mm	Rated capacity		Rated head m	Max capacity		Max head m	Impeller passage mm
		kW	HP		m ³ /h	m ³ /min		m ³ /h	m ³ /min		
50TBZ1.5	50	1.5	2	3.5	15	0.25	15	27	0.45	22	8.5
80TBZ1.5	80	1.5	2	3.5	30	0.50	8	40	0.67	14.5	8.5
50TBZ2.2	50	2.2	3	5.0	18	0.30	20	33	0.55	26	8.5
80TBZ2.2	80	2.2	3	5.0	36	0.60	11	55	0.92	19	8.5
50TBZ3.7	50	3.7	5	7.7	12	0.20	30	33	0.55	34	8.5
80TBZ3.7	80	3.7	5	7.7	30	0.50	20	55	0.92	29	8.5
100TBZ3.7	100	3.7	5	7.7	60	1.0	11.5	90	1.50	18.5	8.5
80TBZ5.5	80	5.5	7.5	11.4	36	0.60	25	75	1.25	34	8.5
100TBZ5.5	100	5.5	7.5	11.4	60	1.0	16	105	1.75	23	8.5
100TBZ7.5	100	7.5	10	15	48	0.80	30	84	1.40	40	11.5
150TBZ7.5	150	7.5	10	15	90	1.50	15	124.8	2.08	31	19.5
100TBZ11	100	11	15	22	60	1.0	35	84	1.40	48.5	11.5
150TBZ11	150	11	15	22	102	1.70	22	147	2.45	32	19.5
100TBZ15	100	15	20	29.5	60	1.0	42	84	1.40	56	11.5
150TBZ15	150	15	20	29.5	102	1.70	30	156	2.60	40	19.5

Performance Curves



Automatic Submersible Contractors' Dewatering Pumps

DanPumps TBZE

TBZE-series robust pumps are best suited for draining in civil engineering, but can also be used for general pumping purposes.

The motor and pump casing are made of rigid cast iron for long-lasting durability. The maximum submersion depth is greatly increased due to a mechanical seal resistant to high pressure. The semi-open impeller is made of high chrome alloy and, in combination with a wear plate (made of ductile iron), it achieves superior durability.

Effective motor cooling due to execution of discharge channel integrated into the motor housing. The space saving design is due to a top outlet.

Discharge outlet size from 50 mm to 100 mm, with a motor range from 1.5 kW to 5.5 kW.

TBZE-series pumps operate automatically with the help of a built-in intelligent control system. This system helps the end-user reduce electricity cost at the construction or industrial site.



Technical Specifications:

- Capacity: up to 105 m³/h
- Head: up to 34 meters
- Power: 1.5 kW to 5.5 kW
- Power supply: Three phase 400 V ± 10 %, 50 Hz
- Insulation class: F
- Protection class: IP68
- Cable length: 20 m
- Water temperature: up to 40°C
- Max. water depth: 25 m

Application:

- Construction sites
- Mining and industrial sites
- Drainage of contaminated water
- General pumping purposes

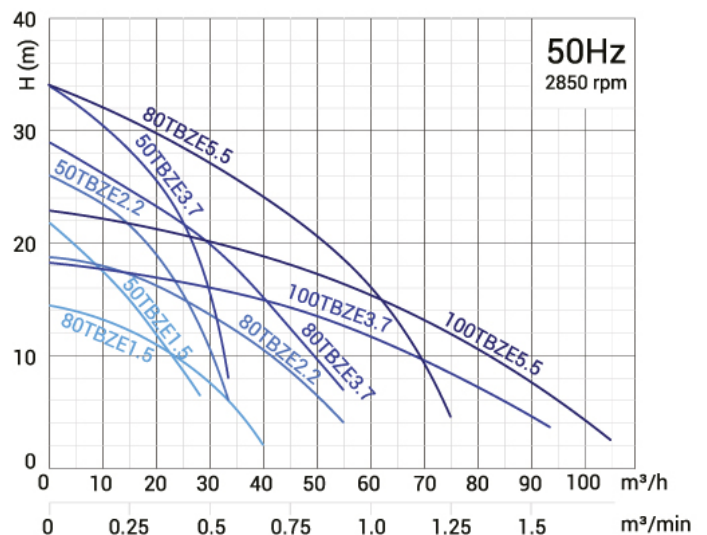
Optional Features:

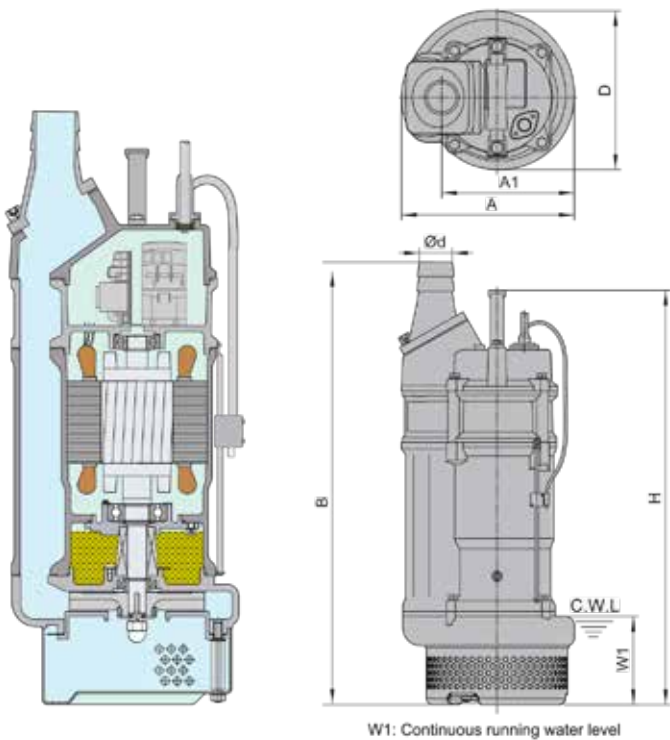
- Other voltages
- Other length of cable

Key features of TBZE intelligent control system

- Protects against reverse phase, ensuring correct impeller rotation
- Protects against open phase or impeller jam, thus preventing accidental damage
- Automatically stops the pump in case of overload or abnormal voltage, with recovery occurring after 5 minutes
- The pump stops working at high temperature, and it will automatically restart after cooling to the specified temperature
- The water level sensor's height is adjustable to control pump operation
- The pump stops working within 60 seconds when the water level is below the water level probe, remaining inactive for 180 seconds. After the 180 seconds, if the water level is above the water level sensor, the pump resumes operation
- Includes assessment of the pump's operation and malfunction history

Performance Curves





W1: Continuous running water level

Material of Construction

Part name	Material
Hose coupling	Cast iron
Handle	Rubber & steel
Upper cover	Cast iron
Upper support	Cast iron
Motor body	Cast iron
Pump body	Cast iron
Impeller	High chrome alloy
Inlet plate	Ductile iron
Strainer	steel
Stator	
Rotor	Shaft: AHSI420SS
Bearing	Ball bearing
Bearing	Ball bearing
Motor protector	
Mechanical seal	Sic-Sic/Carbon-Sic (2.2 kW); Sic-Sic/Sic-Sic (≥3.7 kW)
Oil Seal	
Cable	
AC Contractor	
Water level sensor	
Controller block	

Performance Range

Model (50Hz)	Outlet mm	Motor power		Rated current mm (400V)	Rated capacity		Rated head m	Max capacity		Max head m	Impeller passage mm
		kW	HP		m ³ /h	m ³ /min		m ³ /h	m ³ /min		
50TBZE1.5	50	1.5	2	3.5	15	0.25	15	27	0.45	22	8.5
80TBZE1.5	80	1.5	2	3.5	30	0.50	8	40	0.67	14.5	8.5
50TBZE2.2	50	2.2	3	5.0	18	0.30	20	33	0.55	26	8.5
80TBZE2.2	80	2.2	3	5.0	36	0.60	11	55	0.92	19	8.5
50TBZE3.7	50	3.7	5	7.7	12	0.20	30	33	0.55	34	8.5
80TBZE3.7	80	3.7	5	7.7	30	0.50	20	55	0.92	29	8.5
100TBZE3.7	100	3.7	5	7.7	60	1.0	11.5	90	1.50	18.5	8.5
80TBZE5.5	80	5.5	7.5	11.4	36	0.60	25	75	1.25	34	8.5
100TBZE5.5	100	5.5	7.5	11.4	60	1.0	16	105	1.75	23	8.5

Dimensions and Weight:

Model (50Hz)	d mm	A mm	A1 mm	B mm	D mm	H mm	W1 mm	N.W. kg	G.W. kg	Packing dimension mm
50TBZE1.5	50	235	190	613	216	582	120	41	45	680x265x275
80TBZE1.5	80	235	190	620	216	582	120	41	45	680x265x275
50TBZE2.2	50	235	190	613	216	582	120	44	48	680x265x275
80TBZE2.2	80	235	190	620	216	582	120	44	48	680x265x275
50TBZE3.7	50	283	223	703	252	707	150	71	76	790x320x305
80TBZE3.7	80	283	223	703	252	707	150	71	76	790x320x305
100TBZE3.7	100	283	223	728	252	707	150	72	77	790x320x305
80TBZE5.5	80	329	240	755	300	668	150	85.5	92.5	840x350x345
100TBZE5.5	100	329	240	780	300	668	150	86.5	93.5	840x350x345

Submersible Lightweight Dewatering Pump

DanPumps TBA

The new DanPumps TBA series pumps offer the same robustness as the other models in the DanPumps drainage, sand and slurry pumps series, while granting additional portability due to an aluminum motor casing. Compared to other lightweight pumps, the cast aluminium casings are still stronger than the ones fabricated from a sheet of metal.

The TBA series pumps are equally suitable for dewatering at construction sites, underground tunneling and mining works, rental and other demanding applications requiring light weight and robustness.

TBA series pumps can be equipped with an electrode intelligent control system (TBAE models up to 2.2 kW). TBA series 1.5 kW models are also available in single-phase execution.



Technical Specifications:

- Capacity: up to 54 m³/h
- Head: up to 35 meters
- Power: Single phase 1.5 kW
Three phase: 1.5 kW to 5.5 kW
- Power supply: Single phase 230 V \pm 10 %, 50 Hz
Three phase 400 V \pm 10 %, 50 Hz
- Insulation class: F
- Protection class: IP68
- Cable length: 20 m
- Water temperature: up to 40°C
- PH: 6.5 to 8.5
- Max. water depth: 25 m

Application:

- Construction sites
- Underground tunneling and mining works
- Rental

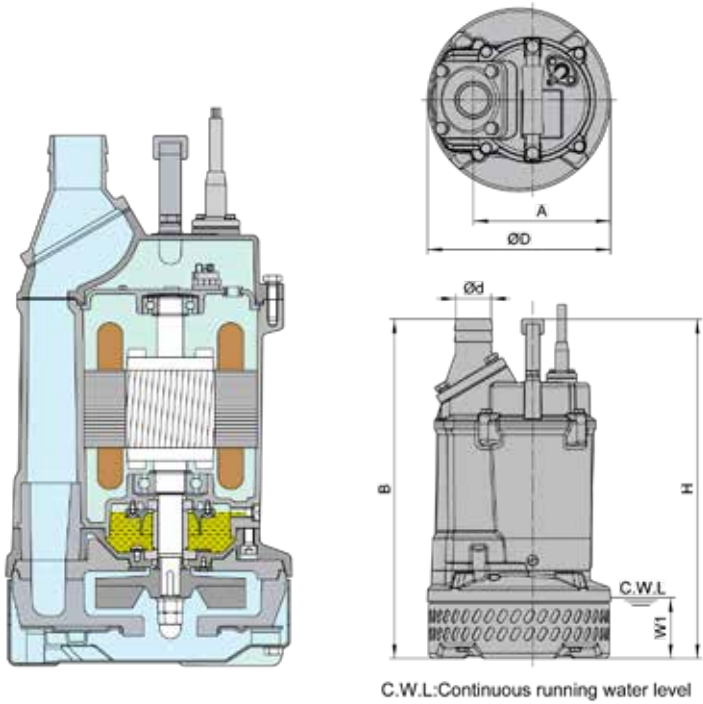
Optional Features:

- Other voltages
- Other length of cable

Dimensions and Weight:

Model (50Hz)	d mm	A mm	B mm	D mm	H mm	W1 mm	N.W. kg	G.W. kg	Packing dimension mm
50TBAM1.5	50	180	515	240	515	80	25.5	29	590x270x285
80TBAM1.5	80	190	539	240	515	80	26	29.5	615x270x285
50TBA1.5	50	180	445	240	445	80	22.5	26	520x270x285
80TBA1.5	80	190	469	240	445	80	23	26.5	545x270x285
50TBA2.2	50	180	445	240	445	80	25	28.5	520x270x285
80TBA2.2	80	190	469	240	445	80	25.5	29	545x270x285
80TBA3.7	80	224	580	285	582	90	40.5	45.5	670x310x335
100TBA3.7	100	224	605	285	582	90	41.5	46.5	670x310x335
80TBA5.5	80	224	580	285	582	90	46.5	51.5	670x310x335
100TBA5.5	100	224	605	285	582	90	47.5	52.5	670x310x335
50TBAME1.5	50	178	515	240	515	80	26.5	31	570x270x285
80TBAME1.5	80	190	539	240	515	80	27	32	590x270x285
50TBAE1.5	50	178	515	240	515	80	24.5	29	570x270x285
80TBAE1.5	80	190	539	240	515	80	25	30	590x270x285
50TBAE2.2	50	178	515	240	515	80	27	31	570x270x285
80TBAE2.2	80	190	539	240	515	80	27.5	32.5	590x270x285

TBA = Three phase, TBAM = Single phase, TBA(M)E = Automatic control system



C.W.L.:Continuous running water level

Material of Construction

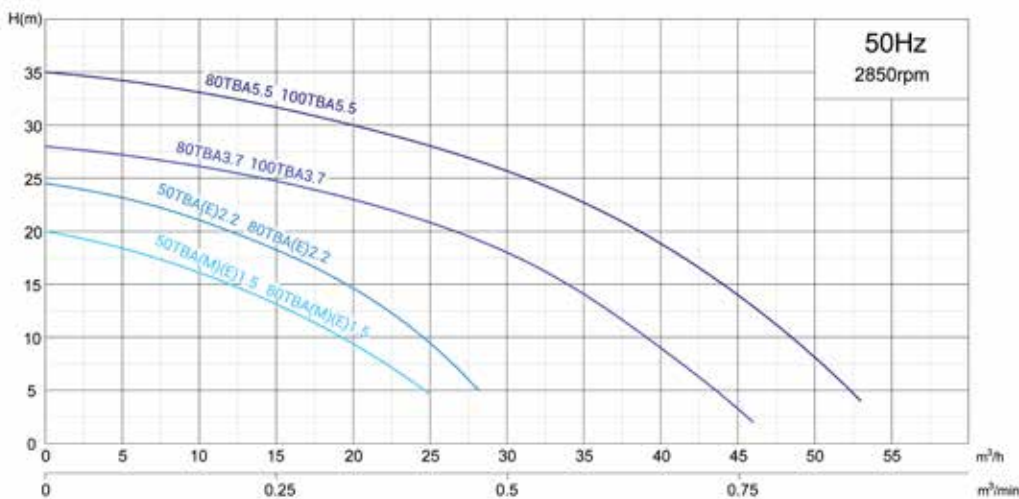
Part name	Material
Hose coupling	Aluminium die casting
Handle	Rubber & AISI304SS
Upper cover	Aluminium die casting
Up-Bearing house	Cast iron
Seal house	Aluminium die casting
Motor body	Aluminium die casting
Pump body	NBR
Impeller	High chrome alloy
Plate	NBR
Oil riser	PA66+GF30
Sand guard	NBR
Stator	
Rotor	Shaft: Stainless steel
Bearing	Ball bearing
Bearing	Ball bearing
Motor protector	
Mechanical seal	Sic-Sic/Carbon-Sic
Shaft sleeve	
Clamping plate	Steel
Cable	

Performance Range

Model (50Hz)	Outlet mm	Motor power		Voltage V	Rated current A	Rated capacity		Rated head m	Max capacity		Max head m	Impeller passage mm
		kW	HP			m ³ /h	m ³ /min		m ³ /h	m ³ /min		
50TBAM1.5	50	1.5	2	230	10	12	0.20	15	25	0.42	20	8.5
80TBAM1.5	80	1.5	2	230	10	12	0.20	15	29	0.48	20	8.5
50TBA1.5	50	1.5	2	400	3.5	12	0.20	15	25	0.42	20	8.5
80TBA1.5	80	1.5	2	400	3.5	12	0.20	15	29	0.48	20	8.5
50TBA2.2	50	2.2	3	400	5.0	12	0.20	20	28	0.47	24	8.5
80TBA2.2	80	2.2	3	400	5.0	12	0.20	20	32	0.53	24	8.5
80TBA3.7	80	3.7	5	400	8.1	30	0.50	18	46	0.77	28	8.5
100TBA3.7	100	3.7	5	400	8.1	30	0.50	18	46	0.77	28	8.5
80TBA5.5	80	5.5	7.5	400	11.2	36	0.60	22	54	0.9	35	8.5
100TBA5.5	100	5.5	7.5	400	11.2	36	0.60	22	54	0.9	35	8.5
50TBAME1.5	50	1.5	2	230	10	12	0.20	15	25	0.42	20	8.5
80TBAME1.5	80	1.5	2	230	10	12	0.20	15	29	0.48	20	8.5
50TBAE1.5	50	1.5	2	400	3.5	12	0.20	15	25	0.42	20	8.5
80TBAE1.5	80	1.5	2	400	3.5	12	0.20	15	29	0.48	20	8.5
50TBAE2.2	50	2.2	3	400	5.0	12	0.20	20	28	0.47	24	8.5
80TBAE2.2	80	2.2	3	400	5.0	12	0.20	20	32	0.53	24	8.5

TBA = Three phase, TBAM = Single phase, TBA(M)E = Automatic control system

Performance Curves



Submersible Agitator Pumps

DanPumps TBD

DanPumps TBD agitator series consist of cast iron heavy-duty slurry/sand pumps based on TBZ pumps. TBD pumps are equipped with agitators that assist in the smooth suction of the pumped media.

The side-flow, top-discharge design provides motor cooling even when the pump is operated continuously in a semisubmerged condition.

TBD pumps are suitable for transferring of water with sand, bentonite slurry and are used for slurry drilling, draining of slurry contaminated water in civil engineering works, cleaning sand pits, etc.



Technical Specifications:

- Capacity: up to 100 m³/h
- Head: up to 32 meters
- Power: 1.5 kW to 5.5 kW
- Power supply: Three phase 400 V±10 %, 50 Hz
- Insulation class: F
- Protection class: IP68
- Cable length: 20 m
- Water temperature: up to 40°C
- Max.water depth: 25 m

Application:

- Construction sites
- Mines and quarries
- Sand pits and sedimentation tanks at wastewater treatment plants
- Transfer of bentonite slurry and sandy sludge
- Transfer of water containing mud and sand

Optional Features:

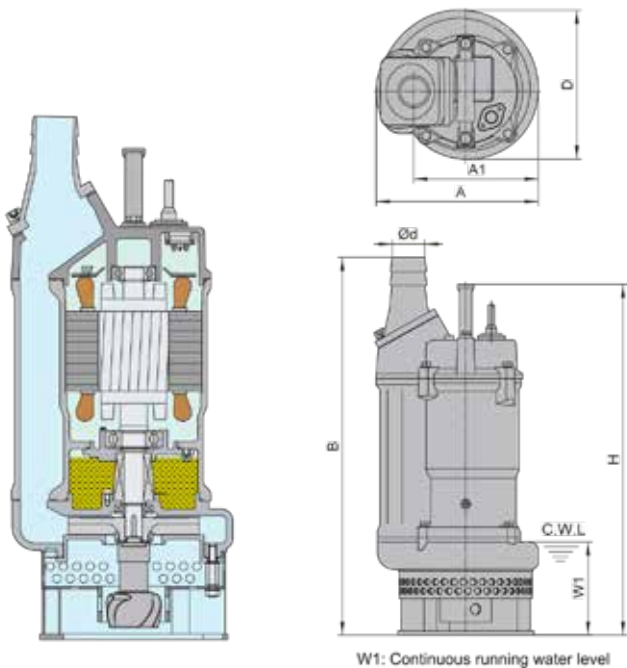
- Other voltages
- Other length of cable

Dimensions and Weight:

Model (50Hz)	d mm	A mm	A1 mm	B mm	D mm	H mm	W1 mm	N.W. kg	G.W. kg	Packing dimension mm
50TBD1.5	50	235	173	557	216	522	135	37	41	620x265x275
80TBD1.5	80	235	173	564	216	522	135	37	41	620x265x275
50TBD2.2	50	235	173	557	216	522	135	40	44	620x265x275
80TBD2.2	80	235	173	564	216	522	135	40	44	620x265x275
80TBD3.7	80	283	208	636	252	642	165	64	69	725x320x295
100TBD3.7	100	283	208	661	252	642	165	65	70	725x320x295
80TBD5.5	80	329	240	698	300	603	165	78	85	770x350x335
100TBD5.5	100	329	240	723	300	603	165	79	86	770x350x335

Material of Construction

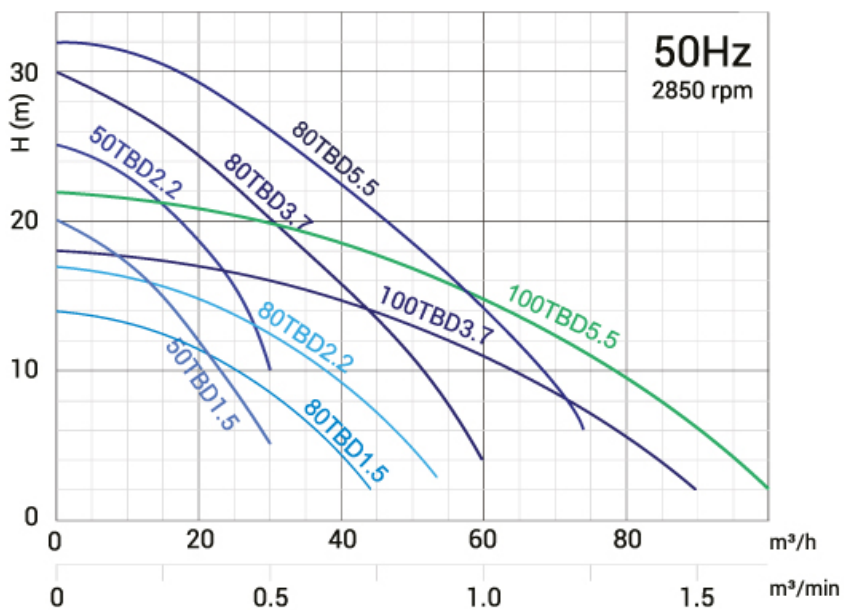
Part name	Material
Hose coupling	Cast iron
Handle	Rubber & steel
Upper cover	Cast iron
Motor body	Cast iron
Pump body	Cast iron
Impeller	High chrome alloy
Agitator	High chrome alloy
Inlet plate	Ductile iron
Strainer	Steel
Stator	
Rotor	Shaft: AISI420SS
Bearing	Ball bearing
Bearing	Ball bearing
Motor protector	
Mechanical seal	Sic-Sic/Carbon-Sic (≤2.2 kW) Sic-Sic/Sic-sic (3.7 kW)
Oil seal	
Cable	



Performance Range

Model (50Hz)	Outlet mm	Motor power		Rated current A	Rated capacity		Rated head m	Max capacity		Max head m	Impeller passage mm
		kW	HP		m ³ /h	m ³ /min		m ³ /h	m ³ /min		
50TBD1.5	50	1.5	2	3.5	15	0.25	15	30	0.50	20	10
80TBD1.5	80	1.5	2	3.5	30	0.5	7	42	0.7	14	10
50TBD2.2	50	2.2	3	5.0	18	0.3	19	30	0.50	25	10
80TBD2.2	80	2.2	3	5.0	36	0.6	11	52	0.88	17	10
80TBD3.7	80	3.7	5	7.7	30	0.5	20	60	1.00	30	10
100TBD3.7	100	3.7	5	7.7	60	1.0	11	90	1.50	18	10
80TBD5.5	80	5.5	7.5	11.4	36	0.6	24	74	1.23	32	10
100TBD5.5	100	5.5	7.5	11.4	60	1.0	14	100	1.67	22	10

Performance Curves



Automatic Submersible Agitator Pumps

DanPumps TBDE

DanPumps TBD agitator series consist of cast iron heavy-duty slurry/sand pumps based on TBZ pumps. TBDE pumps are equipped with agitators that assist in the smooth suction of the pumped media.

The side-flow, top-discharge design provides motor cooling even when the pump is operated continuously in semisubmerged condition.

TBDE pumps are suitable for transferring water with sand, bentonite slurry and are used for slurry drilling, draining of slurry-contaminated water in civil engineering works, and cleaning sand pits, etc.

TBDE series pumps operate automatically with the help of a built-in intelligent control system. This system helps the end-user reduce electricity cost at the construction or industrial site.



Technical Specifications:

- Capacity: up to 100 m³/h
- Head: up to 30 meters
- Power: 1.5 kW to 5.5 kW
- Power supply: Three phase 400 V±10 %, 50 Hz
- Insulation class: F
- Protection class: IP68
- Cable length: 20 m
- Water temperature: up to 40°C
- Max. water depth: 25 m

Application:

- Construction sites
- Mines and quarries
- Sand pits and sedimentation tanks at wastewater treatment plants
- Transfer of bentonite slurry and sandy sludge
- Transfer of water containing mud and sand

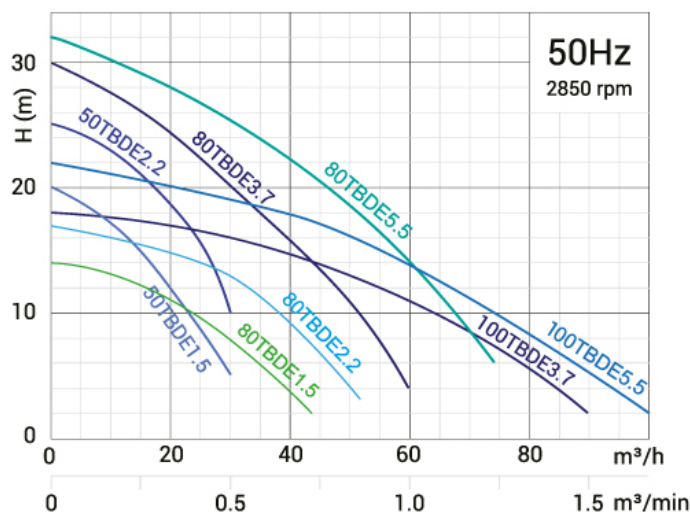
Optional Features:

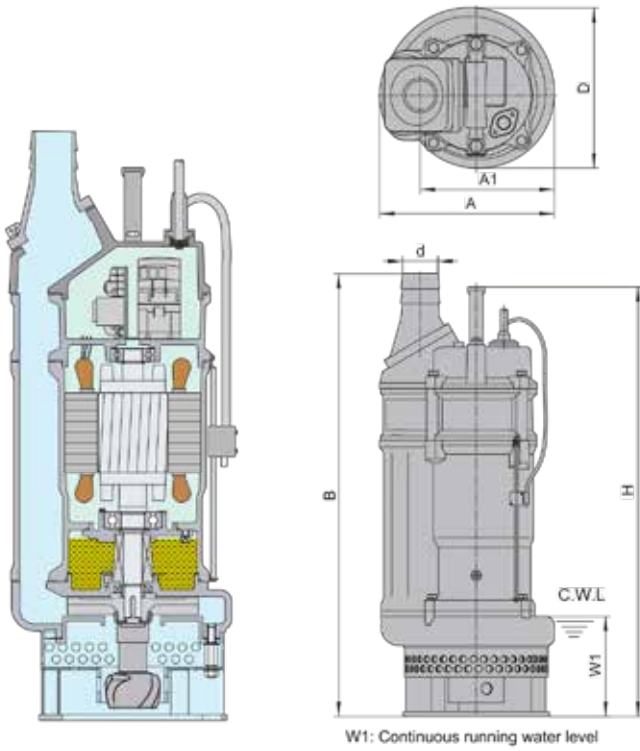
- Other voltages
- Other length of cable

Key features of TBDE intelligent control system

- Protects against reverse phase, ensuring correct impeller rotation
- Protects against open phase or impeller jam, thus preventing accidental damage
- Automatically stops the pump in case of overload or abnormal voltage, with recovery occurring after 5 minutes
- The pump stops working at high temperature, and it will automatically restart after cooling to the specified temperature
- The water level sensor's height is adjustable to control pump operation
- The pump stops working within 60 seconds when the water level is below the water level probe, remaining inactive for 180 seconds. After the 180 seconds, if the water level is above the water level sensor, the pump resumes operation
- Includes assessment of the pump's operation and malfunction history

Performance Curves





W1: Continuous running water level

Material of Construction

Part name	Material
Hose coupling	Cast iron
Handle	Rubber & steel
Upper cover	Cast iron
Upper support	Cast iron
Motor body	Cast iron
Pump body	Cast iron
Impeller	High chrome alloy
Agitator	High chrome alloy
Inlet plate	Ductile iron
Strainer	Steel
Stator	
Rotor	Shaft: AISI420SS
Bearing	Ball bearing
Bearing	Ball bearing
Mechanical seal	Sic-Sic/Carbon-Sic (≤ 2.2 kW); Sic-Sic/Sic-Sic (3.7 kW)
Oil Seal	
Cable	
AC Contractor	
Water level sensor	
Controller block	

Performance Range

Model (50Hz)	Outlet mm	Motor power		Rated current mm (400V)	Rated capacity		Rated head m	Max capacity		Max head m	Impeller passage mm
		kW	HP		m ³ /h	m ³ /min		m ³ /h	m ³ /min		
50TBDE1.5	50	1.5	2	3.5	15	0.25	15	30	0.50	20	10
80TBDE1.5	80	1.5	2	3.5	30	0.50	7	42	0.7	14	10
50TBDE2.2	50	2.2	3	5.0	18	0.30	19	30	0.50	25	10
80TBDE2.2	80	2.2	3	5.0	36	0.60	11	52	0.88	17	10
80TBDE3.7	80	3.7	5	7.7	30	0.50	20	60	1.0	30	10
100TBDE3.7	100	3.7	5	7.7	60	1.00	11	90	1.50	18	10
80TBDE5.5	80	5.5	7.5	11.4	36	0.60	24	74	1.23	32	10
100TBDE5.5	100	5.5	7.5	11.4	60	1.00	14	100	1.67	22	10

Dimensions and Weight:

Model (50Hz)	d mm	A mm	A1 mm	B mm	D mm	H mm	W1 mm	N.W. kg	G.W. kg	Packing dimension mm
50TBDE1.5	50	235	173	629	216	594	135	43	47	695x265x275
80TBDE1.5	80	235	173	636	216	594	135	43	47	695x265x275
50TBDE2.2	50	235	173	629	216	594	135	46	50	695x265x275
80TBDE2.2	80	235	173	636	216	594	135	46	50	695x265x275
80TBDE3.7	80	283	208	714	252	720	165	72	77	805x320x295
100TBDE3.7	100	283	208	739	252	720	165	73	78	805x320x295
80TBDE5.5	80	329	240	784	300	684	165	86	93	825x355x375
100TBDE5.5	100	329	240	809	300	684	165	87	94	865x355x375

Submersible Sand / Slurry Agitator Pumps

DanPumps TBS

Heavy-duty TBS-series sand/slurry pumps with a 4-pole motor ensure reliable operation and an extended working period under rough conditions.

TBS pumps are equipped with a high-chrome alloy impeller combined with an agitator, making them suitable for transferring water with sand and slurry. They are used in mining, construction, and municipal wastewater treatment applications for cleaning sand pits, bottom deepening, and pumping water containing a large amount of slurry, sand, and abrasive particles.



Technical Specifications:

- Capacity: up to 390 m³/h
- Head: up to 42 meters
- Discharge: 80 mm to 200 mm
- Power: 4 kW to 37 kW
- Power supply: Three phase 380 V± 10 %, 50 Hz
- Insulation class: F
- Protection class: IP68
- Cable length: 8 m or 20 m
- Water temperature: up to 40°C
- Max. water depth: 15 m

Application:

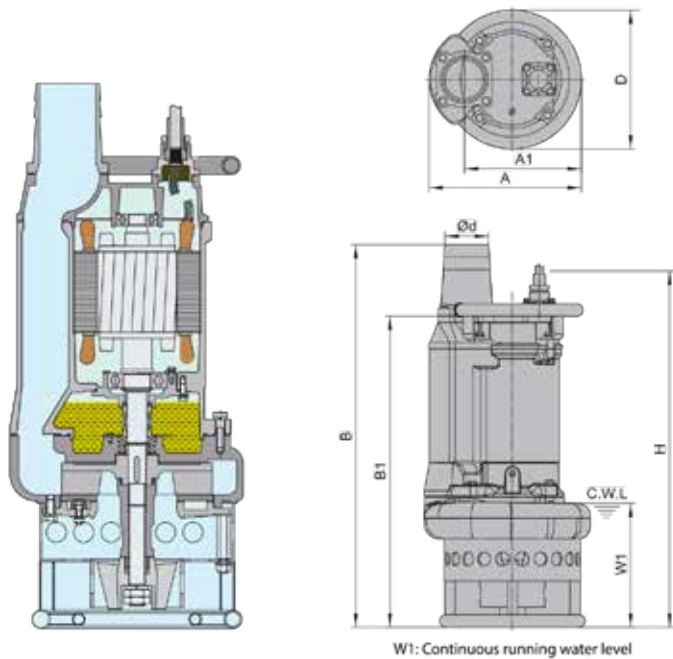
- Mines and quarries
- Construction sites
- Wastewater treatment plants
- Transfer of water high in slurry, sand and abrasive particles
- Bottom deepening
- Cleaning of sand pits, sludge tanks and tailings' ponds

Optional Features:

- Other voltages
- Other length of cable

Dimensions and Weight:

Model (50Hz)	d mm	A mm	A1 mm	B mm	B1 mm	D mm	H mm	W1 mm	N.W. kg	G.W. kg	Packing dimension mm
80TBS4	80	350	260	816	678	326	730	250	108.5	119	855x385x395
100TBS6	100	415	305	844	682	373	768	250	141	151	880x450x455
150TBS9	150	434	324	889	727	407	813	250	171	183	940x470x475
150TBS11	150	434	324	926	764	407	850	250	197	210	980x465x465
200TBS15	200	484	352	1121	889	457	1025	295	260	290	1285x570x705
200TBS22	200	578	442	1245	1015	528	1200	330	408	458	1455x660x765
200TBS30	200	622	469	1378	1147	543	1292	432	510	560	1565x700x775
200TBS37	200	622	469	1378	1147	543	1292	432	535	585	1565x700x775



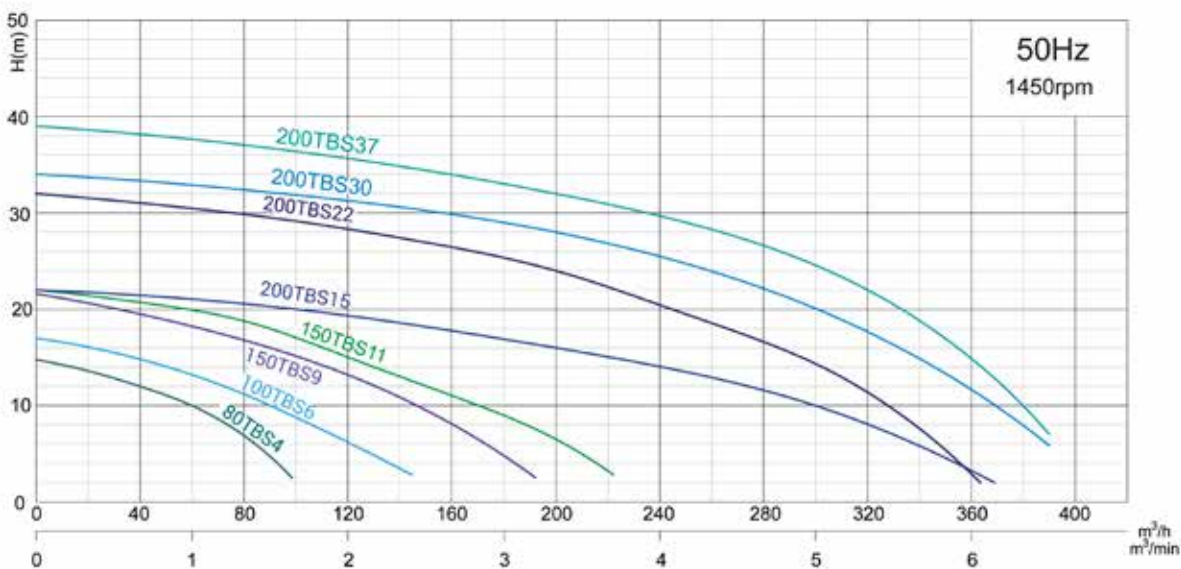
Material of Construction

Part name	Material
Hose coupling	Cast iron
Handle	Steel
Upper cover	Cast iron
Bearing house	Cast iron
Motor body	Cast iron
Pump body	Cast iron
Impeller	High chrome alloy
Agitator	High chrome alloy
Inlet plate	High chrome alloy
Inlet plate	Cast iron
Strainer	Steel
Stator	
Rotor	Shaft: AISI420SS
Bearing	Ball bearing
Bearing	Ball bearing
Mechanical seal	Sic-Sic/Sic-Sic Tc-Sic/Sic-Sic (>15 kW)
Oil seal	
Cable	

Performance Range

Model (50Hz)	Outlet mm	Motor power kW	HP	Starting method	Rated current A (380 V)	Rated capacity m ³ /h	m ³ /min	Rated head m	Max capacity m ³ /h	m ³ /min	Max head m	Impeller passage mm
80TBS4	80	4	5.5	D.O.L	10.2	60	1.0	10	99	1.65	14.8	30
100TBS6	100	6	8	D.O.L	13.8	90	1.50	10	144	2.40	16.9	30
150TBS9	150	9	12	D.O.L	19.5	100	1.67	15	192	3.20	21.5	30
150TBS11	150	11	15	D.O.L	22	120	2.0	15	234	3.90	22	30
200TBS15	200	15	20	D.O.L	30.1	200	3.33	16	372	6.20	22	30
200TBS22	200	22	30	Star-Delta	42	200	3.33	24	360	6	32	30
200TBS30	200	30	40	Star-Delta	57.6	200	3.33	28	390	6.5	34	30
200TBS37	200	37	50	Star-Delta	69.8	200	3.33	32	390	6.5	39	30

Performance Curves



High Head Dewatering Pumps

DanPumps MH (11-45 kW)

MH-series submersible pumps with strong construction are designed to withstand the high pressure during deep well dewatering. The motor and pump casing are made of rigid cast iron for long-lasting durability.

The maximum submersion depth is greatly increased due to a special mechanical seal resistant to high pressure.

The motor is cooled by the pumped water for safe operation even when the pump is operated continuously in a semisubmerged condition. The space-saving design features a top outlet.

Discharge sizes range from 80 mm to 200 mm, with motor sizes ranging from 11 kW to 45 kW. The pumps are equipped with dry-type submersible induction motors (2 poles).



Technical Specifications:

- Capacity: up to 372 m³/h
- Head: up to 90 meters
- Power: 11 kW to 45 kW
- Supply voltage: Three Phase 380 V± 10 %, 50 Hz
- Insulation class: F
- Protection class: IP68
- Cable length: 20 m
- Water temperature: up to 40°C
- Max.water depth: 30 m

Application:

- Mining and industrial sites
- Construction sites
- Deep-well and high-head dewatering
- Drainage of contaminated water
- General pumping purposes

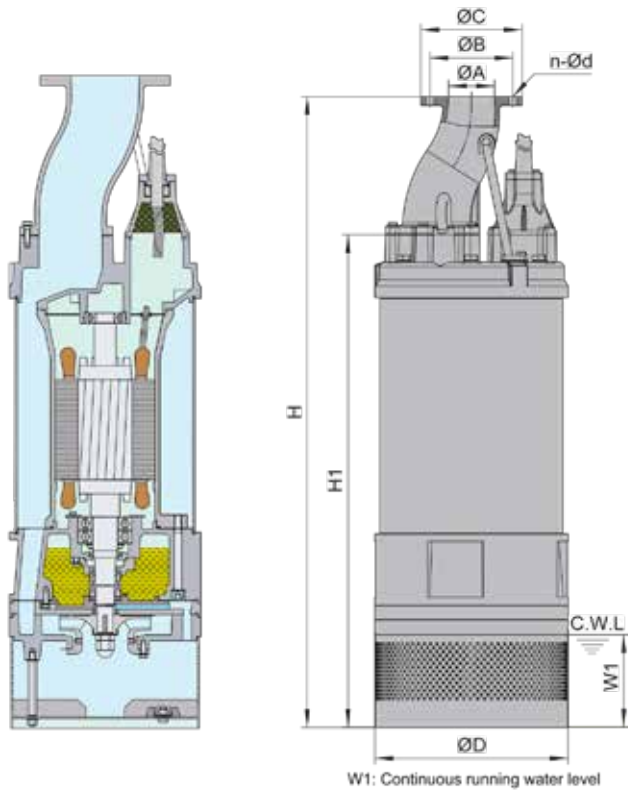
Optional Features:

- Other voltages
- Other length of cable

Dimensions and Weight:

Model (50Hz)	A mm	B mm	C mm	n-Ød mm	D mm	H mm	H1 mm	W1 mm	N.W. kg	G.W. kg	Packing dimension mm
80MH11*	80	160	200	8-Ø17.5	275	1036	824	210	160	172	1085x310x415
100MH37*	100	180	220	8-Ø17.5	420	1500	1198	227	500	540	1625x465x705
100MH22	100	180	220	8-Ø17.5	420	1374	1072	240	370	410	1495x490x705
100MH30	100	180	220	8-Ø17.5	420	1374	1072	240	375	415	1495x490x705
150MH22	150	240	285	8-Ø22	420	1434	1082	250	385	425	1565x490x705
150MH30	150	240	285	8-Ø22	420	1434	1082	250	390	430	1565x490x705
150MH37	150	240	285	8-Ø22	530	1424	1072	180	570	615	1605x600x860
150MH45	150	240	285	8-Ø22	530	1424	1072	180	575	620	1605x600x860
200MH37	200	295	340	12-Ø22	530	1474	1072	180	575	625	1605x600x860
200MH45	200	295	340	12-Ø22	530	1474	1072	180	580	630	1605x600x860

*80MH11 and 100MH37 models with two impellers



Material of Construction

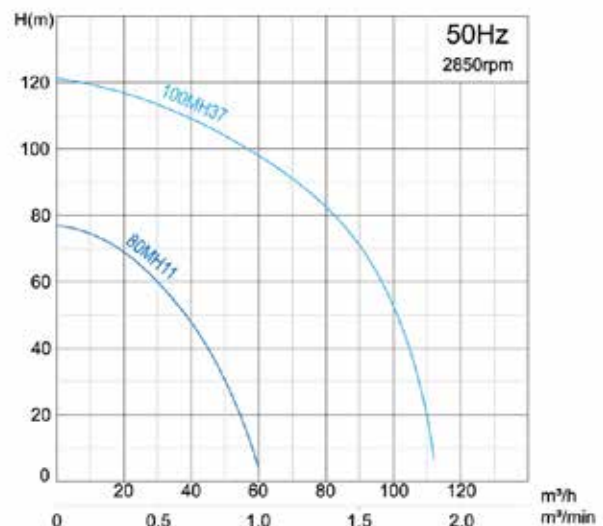
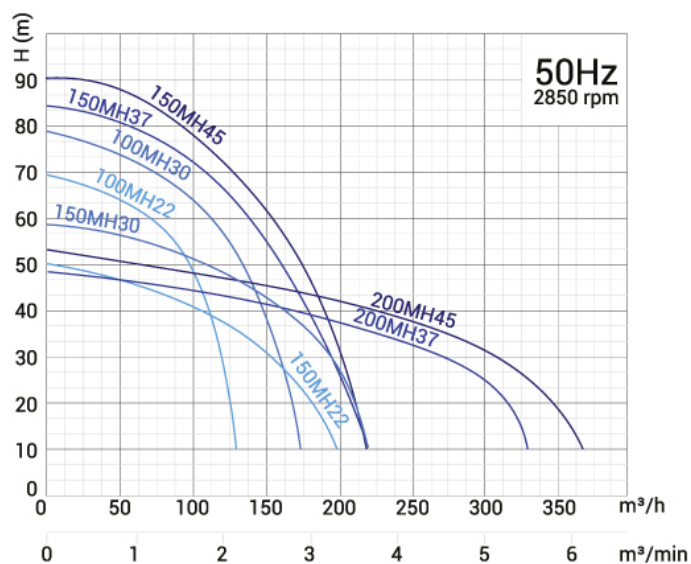
Part name	Material
Hose coupling	Cast iron
Terminal box	Cast iron
Upper cover	Cast iron
Bearing house	Cast iron
Seal bracket	Cast iron
Seal bracket	Cast iron
Motor body	Cast iron
Outer casing	Steel
Impeller*	High chrome alloy
Diffuser	Ductile iron
Inlet plate	Ductile iron
Inlet plate	
Neck ring	High chrome alloy
Strainer	AISI304SS
Stator	
Rotor	Shaft: AISI420SS
Bearing	Ball bearing
Bearing	Ball bearing or Angular contact bearing for 80MH11, 100MH37
Mechanical seal	Sic-Sic/Sic-Sic (11 kW) Tc-Sic/Sic-Sic (>22 kW)
Oil seal	
Shim	Cast iron
Cable	

*80MH11 and 100MH37 models with two impellers

Performance Range

Model (50Hz)	Outlet mm	Motor power		Rated current A	Rated capacity		Rated head m	Max capacity		Max head m	Impeller passage mm
		kW	HP		m ³ /h	m ³ /min		m ³ /h	m ³ /min		
80MH11	80	11	15	22	30	0.5	60	60	1.0	78	8.5
100MH37	100	37	50	66	60	1.0	105	112	1.87	130	6
100MH22	100	22	30	41.5	66	1.1	60	130	2.17	68	6
100MH30	100	30	40	54	72	1.2	70	170	2.83	78	6
150MH22	150	22	30	41.5	120	2.0	37	200	3.33	50	15
150MH30	150	30	40	54	140	2.33	45	220	3.67	58	15
150MH37	150	37	50	66	120	2.0	65	220	3.67	83	6
150MH45	150	45	60	80	120	2.0	75	220	3.67	90	6
200MH37	200	37	50	66	216	3.6	35	330	5.5	48	20
200MH45	200	45	60	80	270	4.5	35	372	6.2	53	20

Performance Curves



High Head Dewatering Pump

DanPumps MH (55-110 kW)

MH-series submersible pumps with a strong construction are designed to withstand the high pressure during deep well dewatering. The motor and pump casing are made of rigid cast iron for long-lasting durability.

The maximum submersion depth is greatly increased due to a special mechanical seal resistant to high pressure.

The motor is cooled by the pumped water for safe operation even when the pump is operated continuously in a semisubmerged condition. The space-saving design features a top outlet.

Discharge sizes range from 150 mm to 200 mm, with motor sizes ranging from 55 kW to 110 kW. The pump is equipped with a dry-type submersible induction motor (2 poles).



Technical Specifications:

- Capacity: up to 408 m³/h
- Head: up to 200 meters
- Power: 55 kW to 110 kW
- Supply voltage: Three Phase 400 V \pm 10 %, 50 Hz
- Insulation class: F
- Protection class: IP68
- Cable length: 20 m
- Water temperature: up to 40°C
- Max.water depth: 30 m

Application:

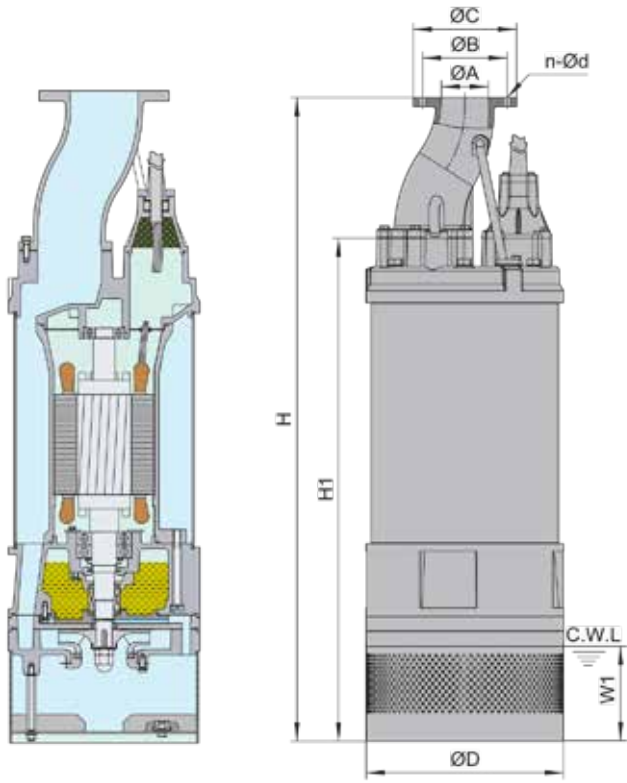
- Mining and industrial sites
- Construction sites
- Deep-well and high-head dewatering
- Drainage of contaminated water
- General pumping purposes

Optional Features:

- Other voltages
- Other length of cable

Dimensions and Weight:

Model (50Hz)	A mm	B mm	C mm	n-Ød mm	D mm	H mm	H1 mm	W1 mm	N.W. kg	G.W. kg	Packing dimension mm
150MH55	150	240	285	8-Ø22	550	1630	1280	200	840	890	1815x620x920
150MH75	150	240	285	8-Ø22	550	1630	1280	200	888	938	1815x620x920
150MH90	150	250	300	8-Ø26	592	1687	1282	200	1110	1166	1825x665x965
150MH110	150	250	300	8-Ø26	592	1793	1388	370	1245	1301	1935x665x965
200MH55	200	295	340	12-Ø22	550	1680	1280	200	850	900	1815x620x920
200MH75	200	295	340	12-Ø22	550	1680	1280	200	898	948	1815x620x920
200MH90	200	295	340	12-Ø22	592	1687	1282	200	1120	1176	1825x665x965
200MH110	200	295	340	12-Ø22	592	1687	1282	200	1150	1206	1825x665x965



W1: Continuous running water level

Material of Construction

Part name	Material
Hose coupling	Ductile iron
Terminal box	Cast iron
Upper cover	Cast iron
Bearing house	Cast iron
Seal bracket	Cast iron
Seal bracket	Cast iron
Motor body	Cast iron
Outer casing	Steel
Impeller*	High chrome alloy
Diffuser	Ductile iron
Inlet plate	Ductile iron
Inlet plate	Ductile iron
Neck ring	High chrome alloy
Strainer	AISI304SS
Stator	
Rotor	Shaft: AISI420SS
Bearing	Ball bearing
Bearing	Ball bearing or Angular contact bearing for 150MH110
Mechanical seal	Tc-Sic/Sic-Sic
Oil seal	
Shim	Cast iron
Cable	

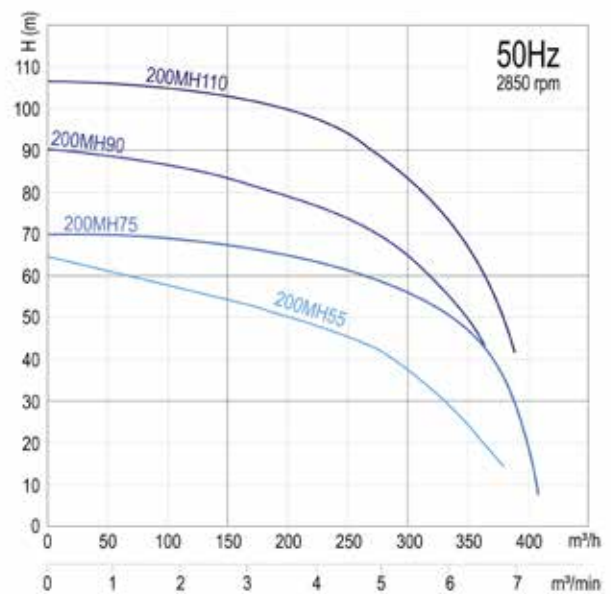
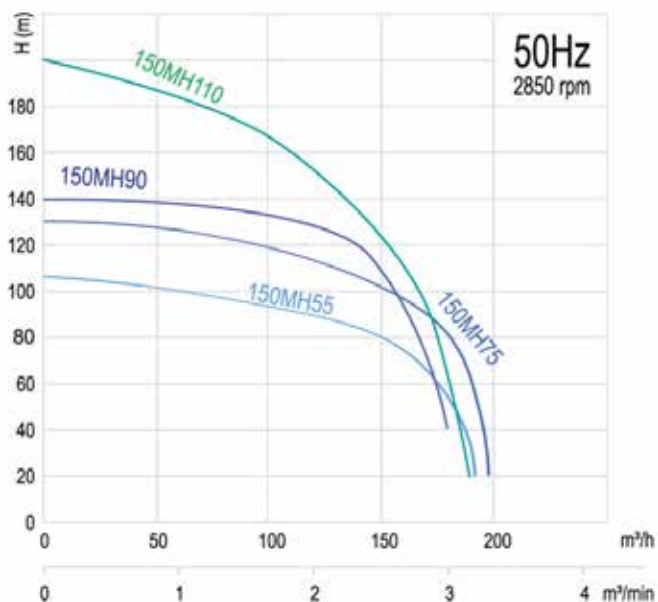
*150MH110 model with two impellers

Performance Range

Model (50Hz)	Outlet mm	Motor power		Rated current A	Rated capacity		Rated head m	Max capacity		Max head m	Impeller passage mm
		kW	HP		m ³ /h	m ³ /min		m ³ /h	m ³ /min		
150MH55	150	55	75	100	90	1.5	90	180	3.0	102	8
150MH75	150	75	100	134	90	1.5	120	180	3.0	132	8
150MH90	200	55	75	100	240	4.0	50	390	6.5	65	20
150MH110	200	75	100	134	270	4.5	60	408	6.8	70	20
200MH55	150	90	120	162	120	2.0	128	180	3.0	140	10
200MH75	200	90	120	162	270	4.5	70	360	6.0	90	20
200MH90	150	110	150	198	120	2.0	150	192	3.2	200	8
200MH110	200	110	150	198	270	4.5	90	390	6.5	107	20

*Starting method: Star-Delta

Performance Curves



Portable Drainage Pump

DanPumps PS(M)

PSM series portable drainage pumps are equipped with semi-vortex impellers and built-in agitators mounted on the shaft. These features ensure effective pumping of contaminated water and reduce the risk of clogging during operation.



Technical Specifications:

- Water temperature: up to 40°C
- PH: 6.5 to 8.5
- Power supply: Single phase 220 V± 10 %, 50 Hz
Three phase 380 V± 10 %, 50 Hz
- Insulation class: F
- Protection class: IP68
- Cable length: 10 m
- Max. water depth: 10 m

Application:

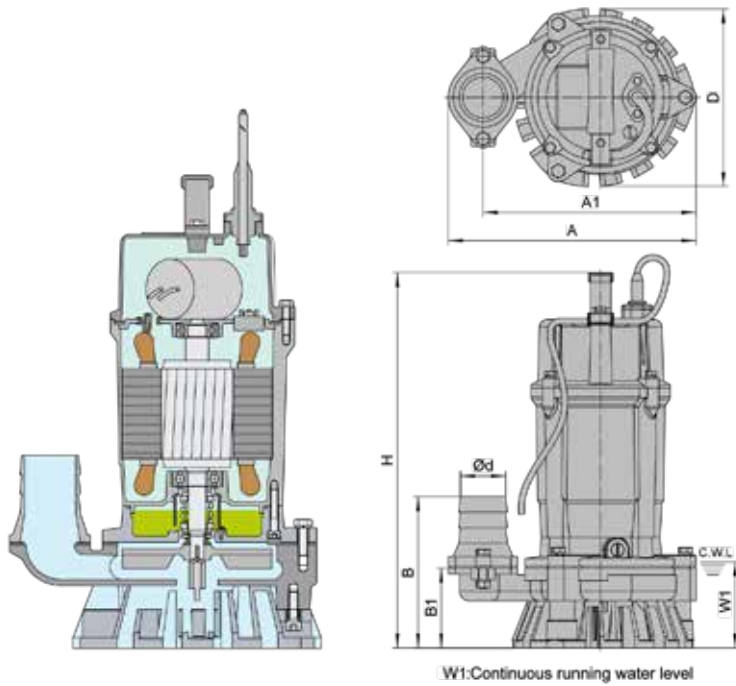
- Construction sites
- Mining and industrial sites
- Drainage and contaminated water
- General pumping purposes

Optional Features:

- Other voltages
- Other length of cable

Dimensions and Weight:

Model (50Hz)	d mm	A mm	A1 mm	B mm	B1 mm	D mm	H mm	W1 mm	N.W. kg	G.W. kg	Packing dimension mm
50PS(M)0.4(F)	50	237	201	157	84	185	365	85	13.5	14.5	405x255x255
50PS(M)0.75(F)	50	257	221	157	84	185	390	85	16.5	17.5	445x265x255
80PS(M)0.75(F)	80	284	234	215	109	185	390	85	18	19	445x295x255



Material of Construction

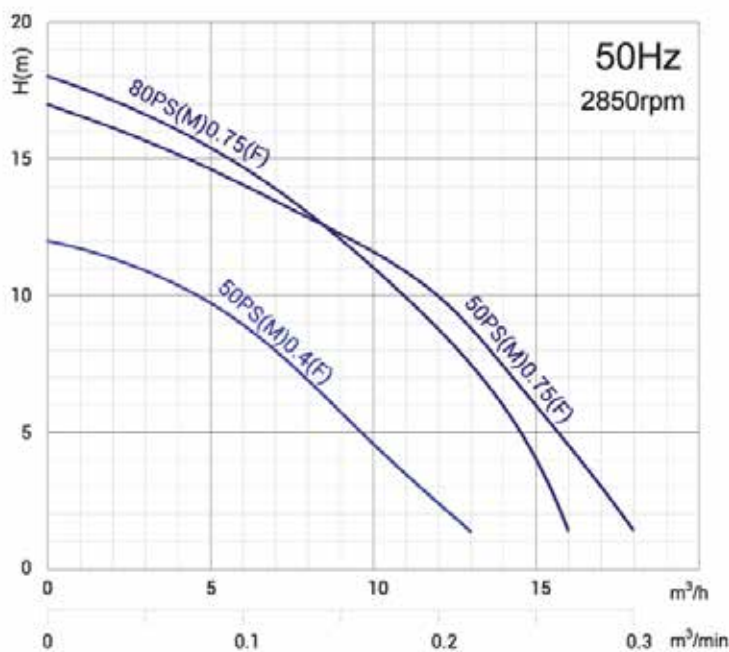
Part name	Material
Hose coupling	Cast iron
Handle	Rubber & steel
Upper cover	Aluminum die casting
Up-Bearing house	Cast iron
Seal house	Cast iron
Motor body	Aluminum die casting
Pump body	Cast iron
Impeller	Ductile iron
Agitator	Stainless steel
Sand guard	NBR
Oil riser	LDPE
Seat assembly	PU
Stator	
Rotor	Shaft: AISI420SS
Bearing	Ball bearing
Bearing	Ball bearing
Capacitor	
Motor protector	
Mechanical seal	Ceramic-Sic/Carbon-Ceramic
Gasket	NBR
Gasket	NBR
Gasket	NBR
Shaft sleeve	AISI420SS
Cable	H07RN-F

Performance Range

Model (50Hz)	Outlet mm	Motor power		Rated current (A)		Rated capacity		Rated head m	Max capacity		Max head m	Impeller passage mm
		kW	HP	1 -	3 -	m ³ /h	m ³ /min		m ³ /h	m ³ /min		
50PS(M)0.4(F)	50	0.4	0.55	3.0	1.3	7	0.12	8	12.6	0.21	12	6
50PS(M)0.75(F)	50	0.75	1	5.0	2.0	10	0.17	11	16	0.27	18	6
80PS(M)0.75(F)	50	0.75	1	5.0	2.0	12	0.20	10	18	0.3	17	6

PS: Three phase, PSM: Single phase, PSM...F: Single phase with float switch

Performance Curves



Portable Slurry Pump

DanPumps PD(M)

PDM series portable drainage pumps are equipped with semi-vortex impellers and built-in agitators made of high chrome alloy. These pumps are designed to operate in media contaminated with mud and sand.



Technical Specifications:

- Water temperature: up to 40°C
- PH: 6.5 to 8.5
- Power supply: Single phase 220 V \pm 10 %, 50 Hz
Three phase 380 V \pm 10 %, 50 Hz
- Insulation class: F
- Protection class: IP68
- Cable length: 10 m
- Max. water depth: 10 m

Application:

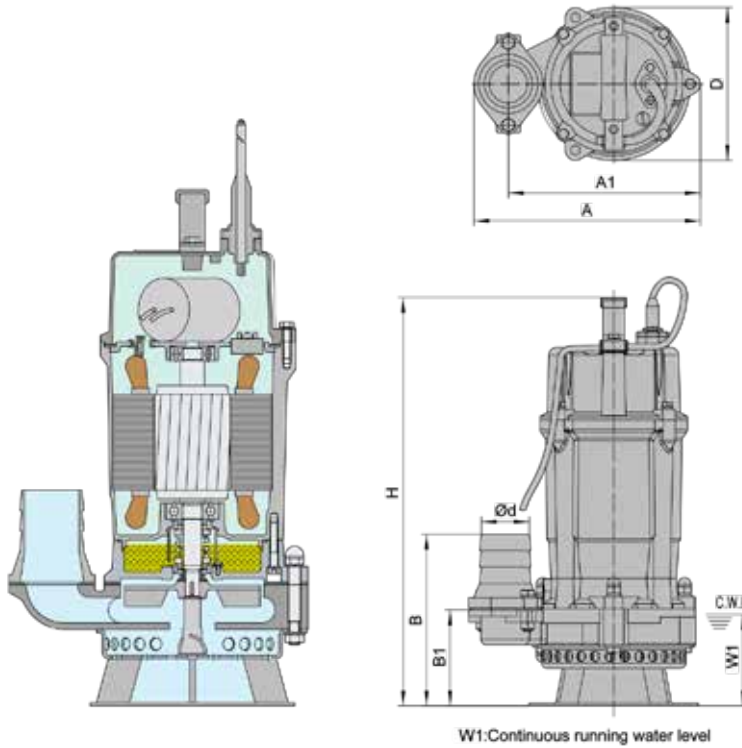
- Construction sites
- Mining and industrial sites
- Drainage and contaminated water
- General pumping purposes

Optional Features:

- Other voltages
- Other length of cable

Dimensions and Weight:

Model (50Hz)	d mm	A mm	A1 mm	B mm	B1 mm	D mm	H mm	W1 mm	N.W. kg	G.W. kg	Packing dimension mm
50PD(M)0.55(F)	50	237	201	168	95	160	405	95	15.5	16.5	455x255x230



Material of Construction

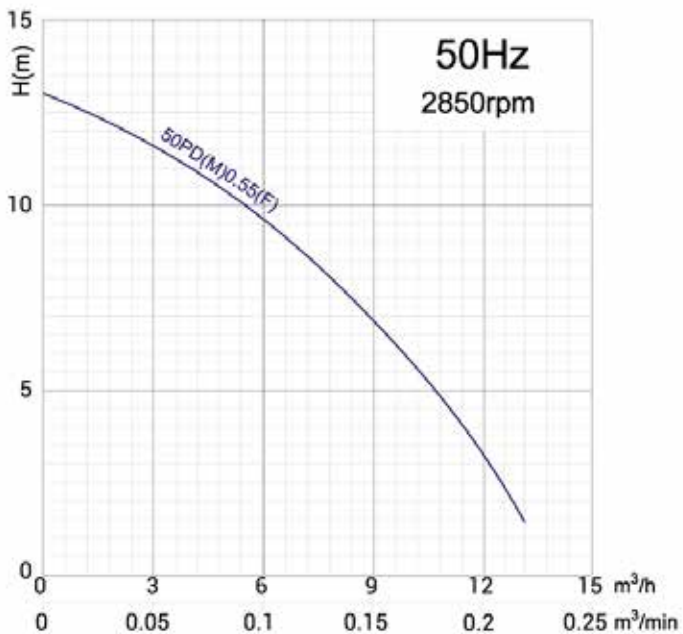
Part name	Material
Hose coupling	Cast iron
Handle	Rubber & steel
Upper cover	Aluminum die casting
Up-Bearing house	Cast iron
Seal house	Cast iron
Motor body	Aluminum die casting
Pump body	Cast iron
Impeller	High chrome alloy
Agitator	High chrome alloy
Oil riser	NBR
Sand guard	LDPE
Strainer	Steel
Stator	
Rotor	Shaft: AISI420SS
Bearing	Ball bearing
Bearing	Ball bearing
Capacitor	
Motor protector	
Mechanical seal	Ceramic-Sic/Carbon-Ceramic
Gasket	NBR
Gasket	NBR
Gasket	NBR
Shaft sleeve	AISI420SS
Cable	H07RN-F

Performance Range

Model (50Hz)	Outlet mm	Motor power		Rated current (A)		Rated capacity		Rated head m	Max capacity		Max head m	Impeller passage mm
		kW	HP	1 -	3 -	m ³ /h	m ³ /min		m ³ /h	m ³ /min		
50PD(M)0.55(F)	50	0.55	0.75	4.0	1.7	8	0.13	8	13.2	0.22	13	9

PD: Three phase, PDM: Single phase, PDM...F: Single phase with float switch

Performance Curves



Portable Drainage Pump

DanPumps TSA

DanPumps TSA series portable drainage pumps feature top discharge for effective cooling and a space-saving design. These compact and robust pumps can be used for various construction dewatering and other general drainage applications



Technical Specifications:

- Power supply: Single phase 230 V \pm 10 %, 50 Hz
- Insulation class: F
- Protection class: IP68
- Cable length: 10 m
- Water temperature: up to 40°C
- PH: 6.5 to 8.5
- Max. water depth: 10 m

Application:

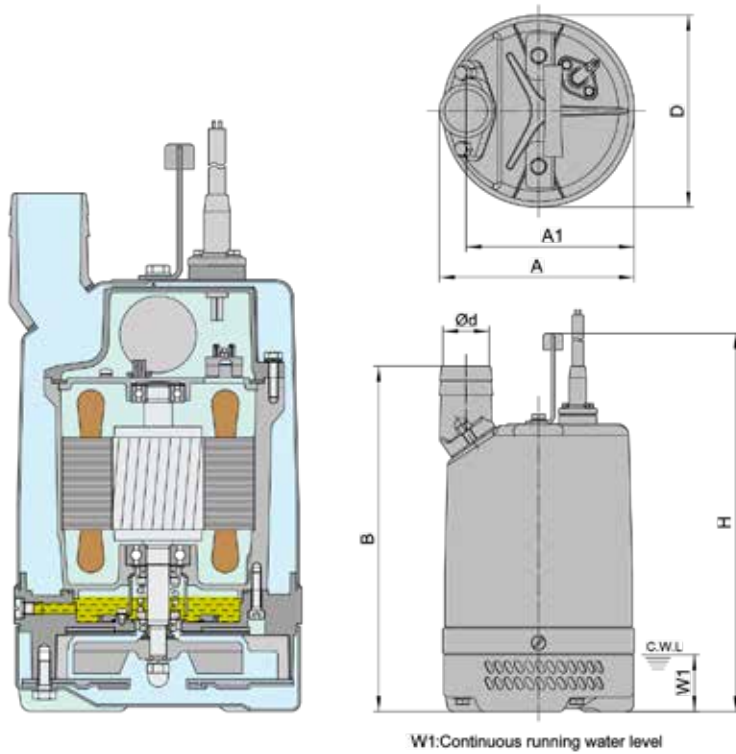
- Construction sites
- Underground tunneling and mining works
- Drainage and contaminated water

Optional Features:

- Other voltages
- Other length of cable

Dimensions and Weight:

Model (50Hz)	d mm	A mm	A1 mm	B mm	D mm	H mm	W1 mm	N.W. kg	G.W. kg	Packing dimension mm
50TSA0.48(F)	50	190	163	296	187	328	50	11.6	13.1	365x225x255
50TSA0.75(F)	50	190	163	336	187	368	50	13.8	15.3	405x225x255



Material of Construction

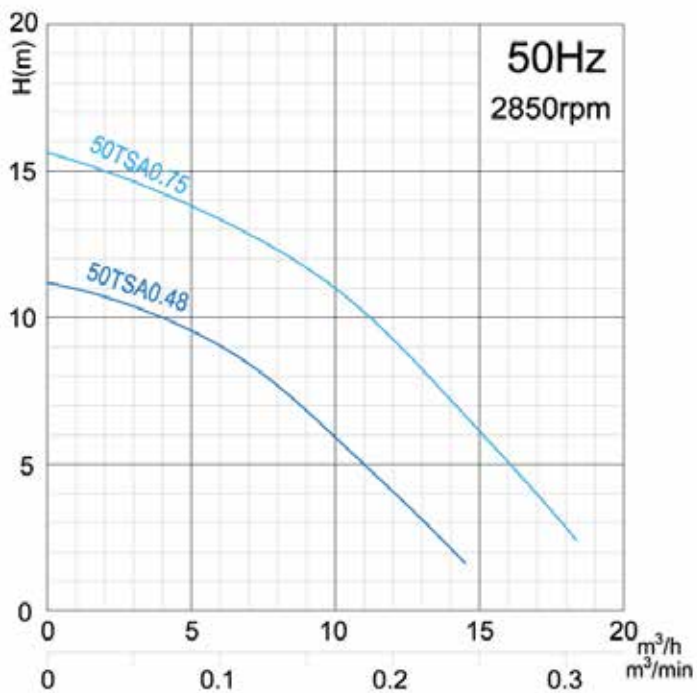
Part name	Material
Hose coupling	Aluminum die casting
Handle	Rubber & steel
Upper cover	Aluminum die casting
Up-Bearing house	Cast iron
Seal house	Aluminum die casting
Motor body	Aluminum die casting
Outer casing	Steel
Impeller	Ductile iron
Diffuser	NBR
Plate	NBR & steel
Intel plate	NBR & steel
Oil riser	NBR
Sand guard	LDPE
Strainer	Steel
Stator	
Rotor	Shaft: AISI420SS
Bearing	Ball bearing
Bearing	Ball bearing
Capacitor	
Motor protector	
Mechanical seal	Ceramic-Sic/Carbon-Ceramic
Cable	H07RN-F

Performance Range

Model (50Hz)	Outlet mm	Motor power kW	Motor power HP	Voltage V	Rated current A	Rated capacity m ³ /h	Rated capacity m ³ /min	Rated head m	Max capacity m ³ /h	Max capacity m ³ /min	Max head m	Impeller passage mm
50TSA0.48(F)	50	0.48	0.65	230	3.0	7	0.12	8	13.5	0.23	11.5	6
50TSA0.75(F)	50	0.75	1	230	5.0	10	0.17	11	18	0.3	15	6

TSA: Single phase, TSA...F: Single phase with float switch

Performance Curves



Portable Drainage Pump

DanPumps TSAE

DanPumps TSAE series portable drainage pumps feature top discharge for effective cooling and a space-saving design. These compact and robust pumps can be used for various construction dewatering and other general drainage applications.

TSAE series pumps operate automatically with the help of a built-in intelligent control system. This system helps the end user reduce electricity costs at the construction or industrial site.



Technical Specifications:

- Power supply: Single phase 230 V \pm 10 %, 50 Hz
- Insulation class: F
- Protection class: IP68
- Cable length: 10 m
- Water temperature: up to 40°C
- PH: 6.5 to 8.5
- Max. water depth: 10 m

Application:

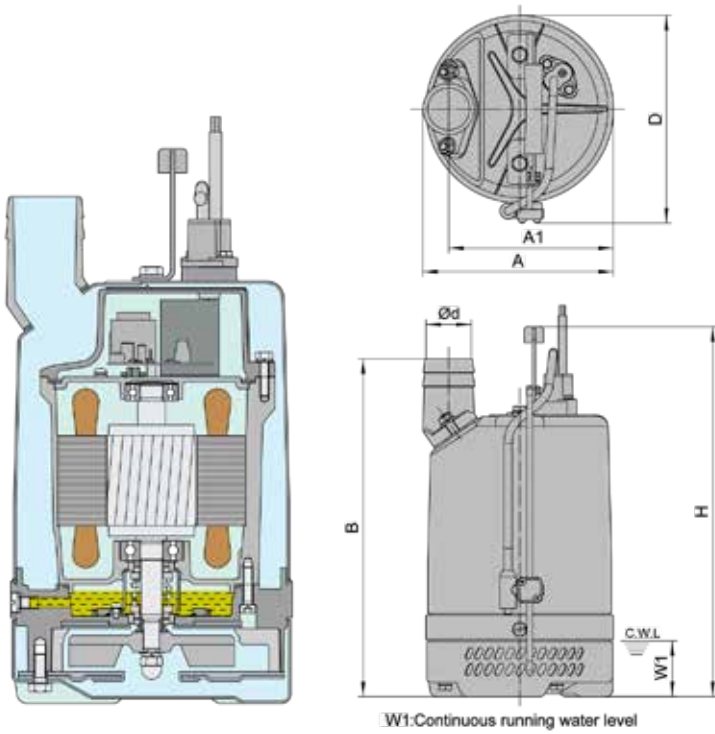
- Construction sites
- Underground tunneling and mining works
- Drainage of contaminated water

Optional Features:

- Other voltages
- Other length of cable

Key features of TSAE intelligent control system

- Automatically stops the pump in case of overload or abnormal voltage, with recovery occurring after 5 minutes
- The pump stops working at high temperatures and will automatically restart after cooling to the specified temperature
- The water level sensor's height is adjustable to control pump operation
- The pump stops working within 60 seconds when the water level is below the water level probe, and remaining inactive for 180 seconds. After the 180 seconds, if the water level is above the water level sensor, the pump resumes operation
- Protects against impeller jam, thus preventing accidental damage
- Includes assessment of the pump's operation and malfunction history



Material of Construction

Part name	Material
Hose coupling	Aluminum die casting
Handle	Rubber & steel
Upper cover	Aluminum die casting
Up-Bearing house	Cast iron
Seal house	Aluminum die casting
Motor body	Aluminum die casting
Outer casing	Steel
Impeller	Ductile iron
Diffuser	NBR
Plate	NBR & steel
Intel plate	NBR & steel
Oil riser	NBR
Sand guard	LDPE
Strainer	Steel
Stator	
Rotor	Shaft: AISI420SS
Bearing	Ball bearing
Bearing	Ball bearing
Capacitor	
Mechanical seal	Ceramic-Sic/Carbon-Ceramic
Cable	H07RN-F
Controller block	

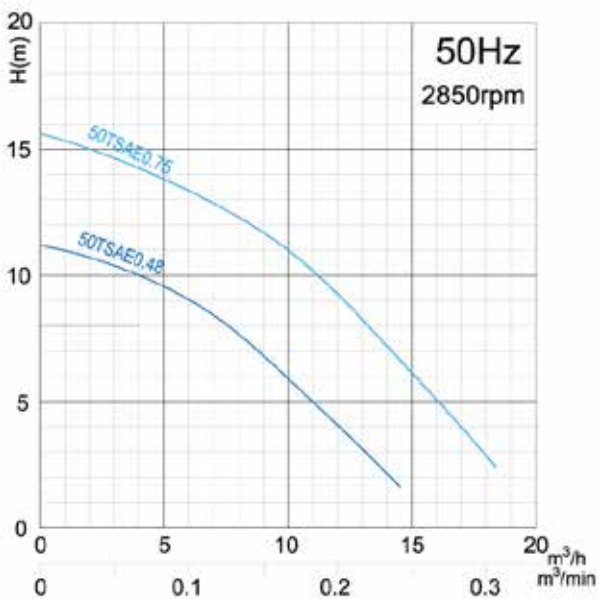
Performance Range

Model (50Hz)	Outlet mm	Motor power		Voltage V	Rated current (A)	Rated capacity		Rated head m	Max capacity		Max head m	Impeller passage mm
		kW	HP			m ³ /h	m ³ /min		m ³ /h	m ³ /min		
50TSAE0.48	50	0.48	0.65	230	3.0	7	0.12	8	13.5	0.23	11.5	6
50TSAE0.75	50	0.75	1	230	5.0	10	0.17	11	18	0.3	15	6

Dimensions and Weight:

Model (50Hz)	d mm	A mm	A1 mm	B mm	D mm	H	W1 mm	N.W. kg	G.W. kg	Packing dimension mm
50TSAE0.48	50	190	164	296	207	328	50	11.8	13.3	385x230x270
50TSAE0.75	50	190	164	336	207	368	50	14.0	15.5	405x230x270

Performance Curves



Submersible Drainage Pumps

DanPumps TS(M)

DanPumps TSM series pumps are compact, high-performance, durable 1-phase submersible pumps used for handling abrasive and/or corrosive liquids at tough job sites, including mines, industries, public utilities, and construction sites.

The pump body and parts in contact with water are built of cast iron or stainless steel (at the customer's option). Depending on the application, pumps are equipped with a semi-open impeller made of high-chrome alloy or stainless steel.

Effective motor cooling is achieved due to the inclusion of a discharge channel integrated into the motor housing. Discharge outlets range from 50 mm to 80 mm, with motors ranging from 0.25 kW to 1.5 kW.

Hermetically sealed motors are equipped with built-in thermal protection.



Technical Specifications:

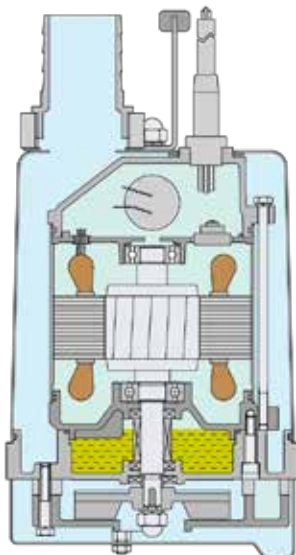
- Capacity: up to 42 m³/h
- Head: up to 21 m
- Power: 0.25 kW to 1.5kW
- Power supply: Single phase 220 V ± 10%, 50 Hz
- Insulation class: F
- Protection class: IP68
- Water temperature: up to 40° C
- Max. water depth: TSM 0.25 ~ 0.75 kW: 10 m
TSM 1.5 kW: 25 m

Application:

- Construction sites
- Mining and industrial sites
- Drainage and contaminated water
- General pumping purposes

Optional Features:

- Other voltages
- Other length of cable

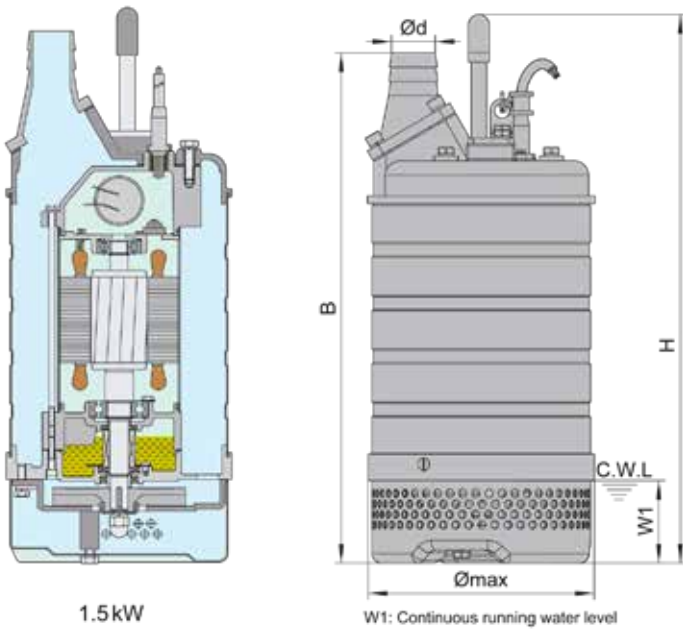


0.25-0.75kW

Material of Construction

Part name	Material
Hose coupling	ABS
Hose coupling	PA66
Handle	Rubber & AISI304SS
Upper cover	Cast iron*
Up-Bearing house	Aluminum die casting
Bearing house	Cast iron*
Seal house	Cast iron*
Motor casing	AISI304SS
Outer casing	AISI304SS
Impeller	Ductile iron*
Diffuser	Cast iron*
Strainer	AISI304SS
Stator	
Rotor	Shaft: AISI420SS
Bearing	Ball bearing
Bearing	Ball bearing
Capacitor	
Motor protector	
Mechanical seal	Ceramic-Sic/Carbon-Ceramic
Oil seal	
Gasket	NBR
Cable	H07RN-F

* Optional: AISI304SS



Material of Construction

Part name	Material
Hose coupling	Cast iron*
Handle	Rubber & Steel
Upper cover	Cast iron*
Upper cover	Cast iron*
Up-Bearing house	Cast iron*
Bearing house	Cast iron*
Seal bracket	Cast iron*
Motor casing	Stainless steel
Outer casing	AISI304SS
Impeller	high chrome alloy*
Diffuser	Ductile iron*
Strainer	Steel*
Stator	
Rotor	Shaft: AISI420SS
Bearing	Ball bearing
Bearing	Ball bearing
Capacitor	(Single phase only)
Motor protector	
Mechanical seal	Sic-Sic/Carbon-Sic
Oil seal	
Cable	H07RN-F

*Optional: AISI304SS

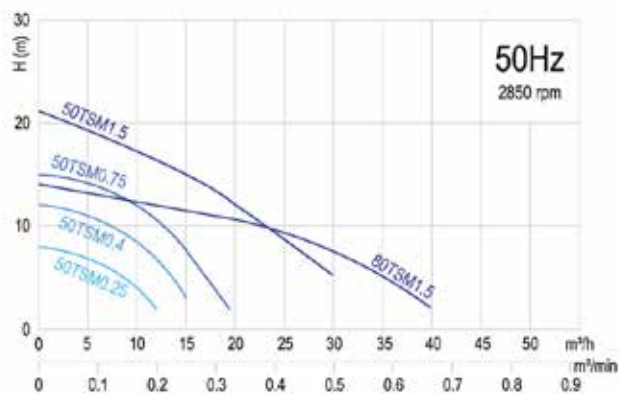
Performance Range

Model (50Hz)	Outlet mm	Motor power kW	HP	Voltage V	Rated current A	Rated capacity m ³ /h	m ³ /min	Rated head m	Max capacity m ³ /h	m ³ /min	Max head m	Impeller passage mm
50TSM0.25(F)	50	0.25	0.35	220	2.0	6	0.1	7	12	0.2	8	6
50TSM0.4(F)	50	0.4	0.55	220	3.0	8	0.13	10	14.5	0.24	12	6
50TSM0.75(F)	50	0.75	1	220	5.0	10	0.17	12	19.5	0.32	15	6
50TSM1.5(F)	50	1.5	2	220	10	15	0.25	15	30	0.5	21	8.5
80TSM1.5(F)	80	1.5	2	220	10	27	0.45	9	42	0.7	14	8.5

Dimensions and Weight:

Model (50Hz)	H mm	B mm	Ømax mm	W1 mm	N.W. kg	G.W. kg	Packing dimension mm
50TSM0.25(F)	345	342	184	50	14	15	385x225x250
50TSM0.4(F)	345	342	184	50	15	16	385x225x250
50TSM0.75(F)	365	362	184	50	17	18	405x225x250
50TSM1.5(F)	582	560	240	87	37	41	660x270x315
80TSM1.5(F)	582	567	240	87	37	41	660x270x315

Performance Curves



Portable Residue Dewatering Pump

DanPumps TSM(G)

TSM(G) series are portable residue dewatering pumps, capable of pumping down to the floor, allowing even the smallest puddle to be pumped dry. TSM(G) pumps are ideal for complete drainage of flat surfaces where a sump is not available, such as basements, parking lots, roads, and swimming pools. These pumps can continuously pump water at a depth of 1 mm and are equipped with a swing valve that prevents reverse flow of the sucked water when the pump stops its operation.



Technical Specifications:

- PH: 6.5 to 8.5
- Power supply: Single phase 220 V \pm 10 %, 50 Hz
- Insulation class: F
- Protection class: IP68
- Cable length: 8 m
- Water temperature: up to 40°C
- Max.water depth: 10 m

Application:

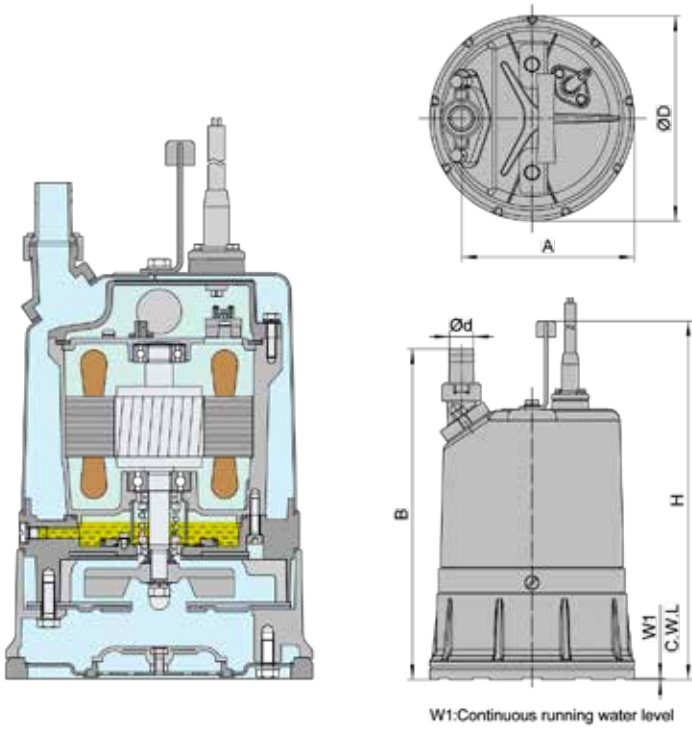
- Civil engineering
- Building sites
- Basements or other utility pits
- Rainwater and mud water

Optional Features:

- Other voltages

Dimensions and Weight:

Model (50Hz)	d mm	A mm	B mm	D mm	H mm	W1 mm	N.W. kg	G.W. kg	Packing dimension mm
25TSM0.48(G)	25	173	325	205	358	1	12.6	14.1	425x230x280
50TSM0.75(G)	50	173	325	205	398	1	14.8	16.3	465x230x280



W1:Continuous running water level

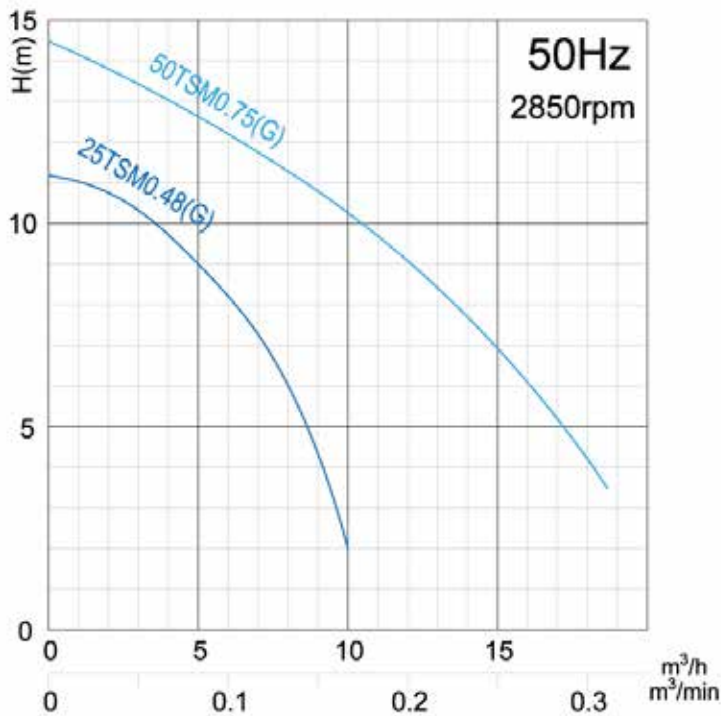
Material of Construction

Part name	Material
Hose coupling	Aluminum die casting
Hose coupling	Aluminum die casting
Handle	Rubber & Steel
Upper cover	Aluminum die casting
Up-Bearing house	Cast iron
Seal house	Aluminum die casting
Motor body	Aluminum die casting
Outer casing	Steel
Impeller	Ductile iron
Diffuser	NBR
Plate	NBR & Steel
Intel plate	NBR & Steel
Check value	NBR & Steel
Oil riser	NBR
Sand guard	LDPE
Strainer	Aluminum die casting
Strainer	NBR & Steel
Stator	
Rotor	Shaft: AISI420SS
Bearing	Ball bearing
Bearing	Ball bearing
Capacitor	
Motor protector	
Mechanical seal	Ceramic-Sic/Carbon-Ceramic
Cable	H07RN-F

Performance Range

Model (50Hz)	Outlet mm	Motor power		Voltage V	Rated current A	Max head m	Impeller passage mm
		kW	HP				
25TSM0.48(G)	25	0.48	0.65	230	3.0	11	6
50TSM0.75(G)	50	0.75	1.0	230	5.0	14.5	6

Performance Curves



Stainless Steel Drainage Pumps

DanPumps TSS

Submersible stainless steel TSS series pumps are used for the transportation of chemically aggressive and abrasive liquids at mining and industrial sites. All parts of the pumps in contact with water are made of stainless steel.

Effective motor cooling is achieved due to the inclusion of a discharge channel integrated into the motor housing.

Discharge outlets range from 50 mm to 150 mm, with motors ranging from 1.5 kW to 11 kW. Hermetically sealed motors are equipped with built-in thermal protection.



Technical Specifications:

- Capacity: up to 150 m³/h
- Head: up to 48.5 m
- Power: 1.5 kW to 11kW
- Power supply: Three phase 400 V ± 10%, 50 Hz
- Insulation class: F
- Protection class: IP68
- Water temperature: up to 40° C
- Max. water depth: 25 m

Application:

- Industrial sites
- Mining sites and quarries
- Drainage and contaminated water
- Wastewater treatment plants

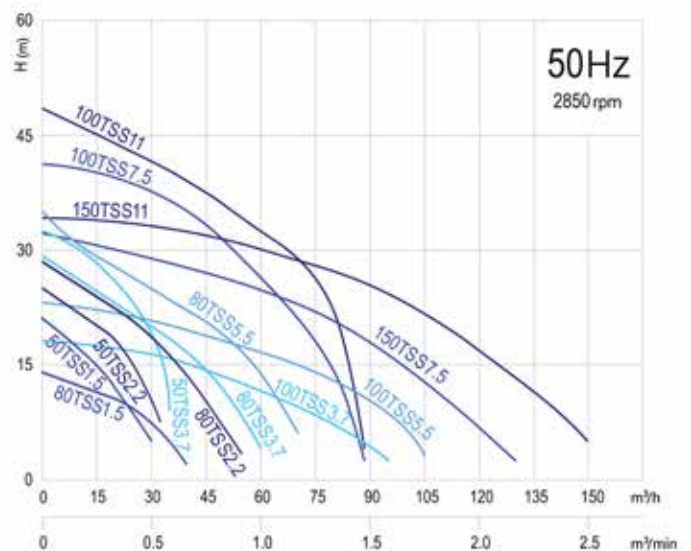
Optional Features:

- Other voltages
- Other length of cable

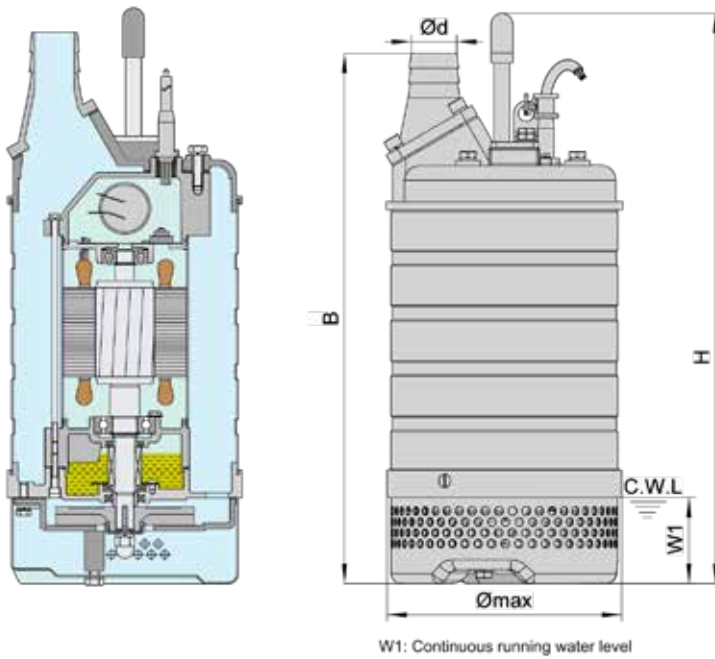
Dimensions and Weight:

Model (50Hz)	H mm	B mm	Ømax mm	W1 mm	N.W. kg	G.W. kg	Packing dimension mm
50TSS1.5	563	540	240	87	37	41	620x270x315
80TSS1.5	563	540	240	87	37	41	620x270x315
50TSS2.2	613	590	240	87	40	44	620x270x315
80TSS2.2	613	590	240	87	40	44	620x270x315
50TSS1.5(F)	563	547	240	87	39	43	690x270x315
80TSS1.5(F)	563	547	240	87	39	43	690x270x315
50TSS2.2(F)	613	597	240	87	42	46	690x270x315
80TSS2.2(F)	613	597	240	87	42	46	690x270x315
50TSS3.7	515	591	300	76	58	64	670x320x345
80TSS3.7	515	616	300	76	58	64	670x320x345
100TSS3.7	555	656	300	76	59	65	670x320x345
80TSS5.5	565	641	300	76	66	72	710x320x345
100TSS5.5	605	681	300	76	67	73	710x320x345
50TSS3.7(F)	515	591	300	76	60	66	730x320x345
80TSS3.7(F)	555	631	300	76	60	66	730x320x345
100TSS3.7(F)	565	641	300	76	61	67	730x320x345
80TSS5.5(F)	565	666	300	76	68	74	770x320x345
100TSS5.5(F)	605	706	300	76	69	75	770x320x345
100TSS7.5	700	810	355	142	108	120	894x394x455
150TSS7.5	700	810	355	142	110	122	894x394x455
100TSS11	745	855	355	142	123	135	954x394x455
150TSS11	745	855	355	142	125	137	954x394x455

Performance Curves



B: The height from pumps bottom to outlet
H: The height from pumps bottom to handles top



Material of Construction

Part name	Material
Hose coupling	AISI304SS
Handle	Rubber & Steel
Upper cover	AISI304SS
Upper cover	AISI304SS
Up-Bearing house	AISI304SS
Bearing house	AISI304SS
Seal bracket	AISI304SS
Motor casing	Stainless steel
Outer casing	AISI304SS
Impeller	AISI304SS
Diffuser	AISI304SS
Strainer	AISI304SS
Stator	
Rotor	Shaft: AISI420SS
Bearing	Ball bearing
Bearing	Ball bearing
Capacitor	(Single phase only)*
Motor protector	
Mechanical seal	Sic-Sic/Carbon-Sic (≤2.2 kW) Sic-Sic/Sic-Sic (3.7-5.5 kW)
Oil seal	
Cable	H07RN-F

* - 1.5 kW pumps can be manufactured with 220V on request

Performance Range

Model (50Hz)	Outlet mm	Motor power		Voltage V	Rated current A	Rated capacity		Rated head m	Max capacity		Max head m	Impeller passage mm
		kW	HP			m ³ /h	m ³ /min		m ³ /h	m ³ /min		
50TSS1.5	50	1.5	2	400	3.5	15	0.25	15	30	0.5	21	8.5
80TSS1.5	80	1.5	2	400	3.5	27	0.45	9	42	0.7	14	8.5
50TSS2.2	50	2.2	3	400	5.0	20	0.33	18	32	0.53	25	8.5
80TSS2.2	80	2.2	3	400	5.0	36	0.6	11	55	0.92	18.5	8.5
50TSS1.5(F)	50	1.5	2	400	3.5	15	0.25	15	30	0.5	21	8.5
80TSS1.5(F)	80	1.5	2	400	3.5	27	0.45	9	42	0.7	14	8.5
50TSS2.2(F)	50	2.2	3	400	5.0	20	0.33	18	32	0.53	25	8.5
80TSS2.2(F)	80	2.2	3	400	5.0	36	0.6	11	55	0.92	18.5	8.5
50TSS3.7	50	3.7	5	400	7.7	18	0.3	26	36	0.6	32	8.5
80TSS3.7	80	3.7	5	400	7.7	35	0.58	18.5	60	1.0	29	8.5
100TSS3.7	100	3.7	5	400	7.7	60	1.0	11.5	95	1.58	18	8.5
80TSS5.5	80	5.5	7.5	400	11.4	45	0.75	22	72	1.2	35	8.5
100TSS5.5	100	5.5	7.5	400	11.4	60	1.0	16	105	1.75	23	8.5
50TSS3.7(F)	50	3.7	5	400	7.7	18	0.3	26	36	0.6	32	8.5
80TSS3.7(F)	80	3.7	5	400	7.7	35	0.58	18.5	60	1.0	29	8.5
100TSS3.7(F)	100	3.7	5	400	7.7	60	1.0	11.5	95	1.58	18	8.5
80TSS5.5(F)	80	5.5	7.5	400	11.4	45	0.75	22	72	1.2	35	8.5
100TSS5.5(F)	100	5.5	7.5	400	11.4	60	1.0	16	105	1.75	23	8.5
100TSS7.5	100	7.5	10	400	15	60	1.0	26	88	1.47	41	11.5
150TSS7.5	150	7.5	10	400	15	80	1.33	20.5	130	2.17	32	19.5
100TSS11	100	11	15	400	22	60	1.0	32	86.4	1.44	48.5	11.5
150TSS11	150	11	15	400	22	90	1.5	25	150	2.5	34	19.5



About DanPumps A/S

DanPumps has been dedicated to providing pumping solutions to utility companies and industries since 2013. In November 2023, DanPumps once again became an independent company, concluding a successful period under SonFlow's guidance. Today, our unwavering commitment is directed towards the development and manufacturing of quality pumps.

Wide Range of Pumps

The range of pumps at DanPumps A/S is continually evolving, and our ability to deliver customized solutions makes us one of the most flexible and competitive suppliers in the market.

Our pump range is the result of high efficiency, intelligent design, and practical features. These qualities are combined to create user-friendly pumps with a long lifespan. We provide pumps for a wide range of applications, including wastewater, marine, industrial, and sanitary purposes.

