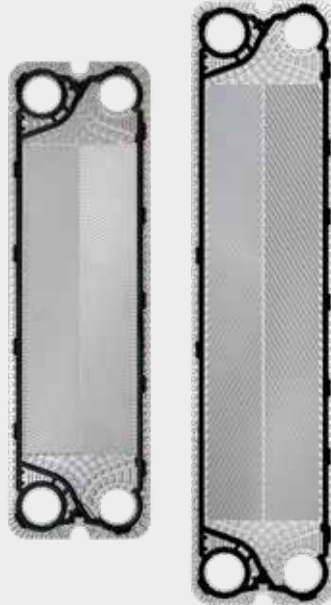


Plate Heat Exchanger AF55 Series

AF56 & AF57



SonFlow



AHRI CERTIFIED®
www.ahridirectory.org

Liquid to Liquid Heat Exchangers
AHRI Standard 400



SonFlow offers a wide range of AHRI-certified® products, including the AF55 series. The series is certified in the category of "AHRI Liquid to Liquid Heat Exchangers," which confirms the thermal performance according to the specified specifications. With the AF55 series, SonFlow offers a reliable and efficient single-pass solution that is suitable for many different applications. This is a cost-effective solution that ensures optimal heat transfer and minimal maintenance.

Typical applications:

- HVAC-R
- Geothermal
- Marine
- Food & beverage
- General industry
- Chemical industry
- Mining
- Sugar industry
- Electronics

- Gentle product handling
- Design pressure up to 25 bar
- Operating temperature: up to 180° C
- Leak chamber
- Fixed bolt head
- Lifting lug
- Lining
- Lock washer

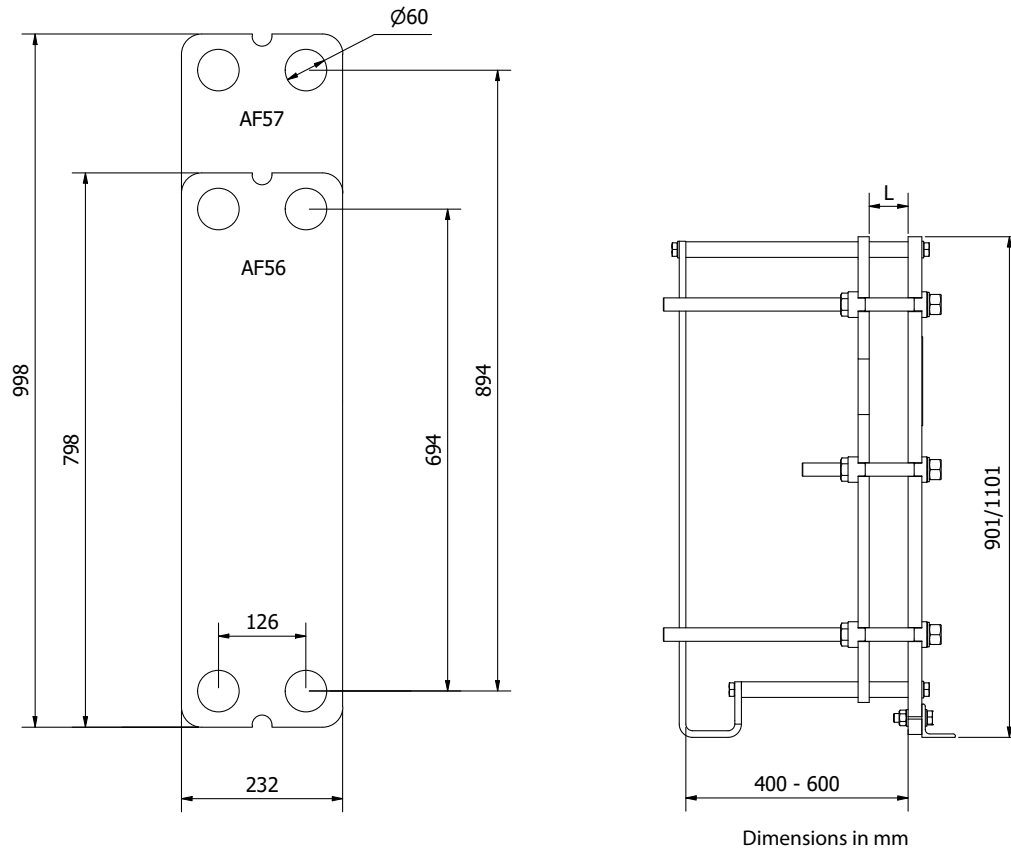
Features:

Every detail is carefully designed to ensure optimal performance, reduced maintenance costs and decreased downtime:

- Compact design
- High flexibility

Benefits:

- Lower operating costs
- Cost-effective
- Easy assembly
- Increased energy efficiency
- Easy cleaning
- Dead spots, that cause corrosion and fouling are eliminated



Design pressure:

- Painted frames: 1.6/2.5 MPa (232/362 PSI)

Construction standards:

- EN13445
- ASME sec VIII, Div. 1

Frame:

- Painted frame, RAL 5010 (available in other colours)
- Stainless steel frame

Connections:

- DN 50/2" dairy pipes or unions
- 2" threaded pipe, BSP/NPT, stainless steel or titanium
- According to all known standards

Plate material:

- AISI 304/316 and titanium
- Other materials available on request

Gaskets:

- Hang-on gaskets
- Materials: NBR, EPDM and Viton
- Other materials available on request

Accessories:

- Drip tray
- Emergency spares
- Insulation jackets
- Safety cover



AHRI Certified® is the trusted mark of performance for heating, air conditioning, water heating, and commercial refrigeration equipment. To find AHRI Certified products, go to www.ahridirectory.org.

Certificerede produkter i the AF55 Series

Model number	AHRI Certified Reference Number
AF56PS16	214472360
AF56PL25	214472361
AF57PS16	214472362
AF57PL16	214472363
AF57PL25	214472364