

Wastewater Pumps

DanPumps S-WP0 - 50 Hz

Product Applications

The S-WP0 pump is available in three different models:

S-WP0-37: The smallest pump in the series, which is especially suitable for pumping from basements, pre-cleaned wastewater or drains from parking plants.

S-WP0-50: Designed for wastewater treatment for a single household, washing plants, tunnels, large basement outlets, etc.

S-WP0-65: Designed for wastewater where several households or companies are attached. The pump can be mounted on a base elbow.

This model is also available as a Grinder Pump.

Design

DanPumps S-WP0 pumps are designed for smaller tasks within the wastewater area.

All pumps are characterized by high quality and an excellent choice of materials.

The pump is equipped with a vortex impeller and a large free passage through the pump housing, reducing clogging and extending the pump's lifetime.

Materials

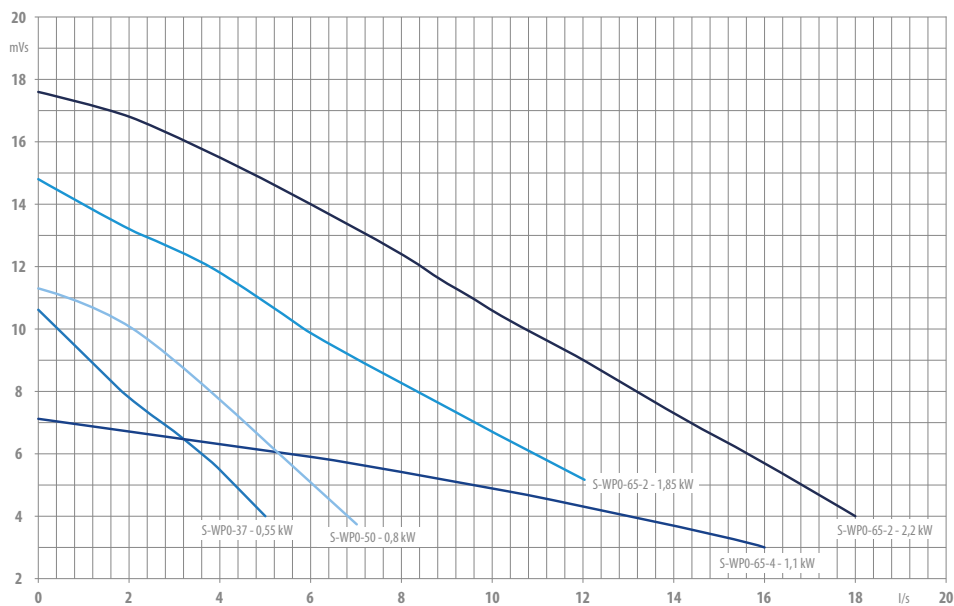
Pump Housing	Cast iron GG 25
Base elbow	Cast iron GG 25
Impeller high head	Ductile cast iron GGG-40
Pumping wheels	Cast iron GG 25
Shaft	Stainless steel AISI 420
Bolts	Stainless steel AISI 304
Primary shaft sealing	Silicon carbide / Silicon carbide
Secondary sealing	Graphite/aluminium
Cable	H07HNF
Motor	Insulation class H Protection degree IP68

Operation Standards:

- Connections up to DN65.
- Flow rate up to 68 m³/h.
- Overheating protection.
- Double mechanical shaft seal in an oil bath.
- Highly efficient motors.
- Over-dimensioned bearings ensure a long life for the pump.
- Easy maintenance.
- Option: Float switch regulator.



Performance Curves - DanPumps S-WP0 - 50 Hz

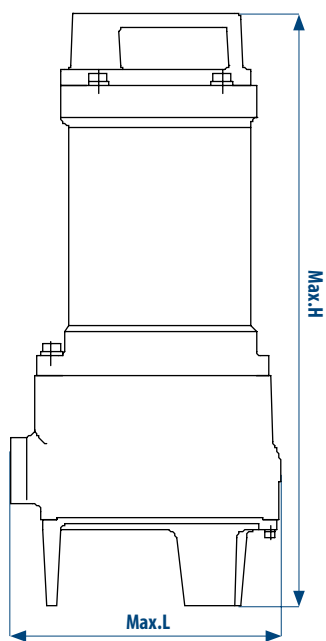


DCB DN-40 Installation Kit
S-WP0-37, Art. No: F070000100001
S-WP0-50, Art. No: F070000100002

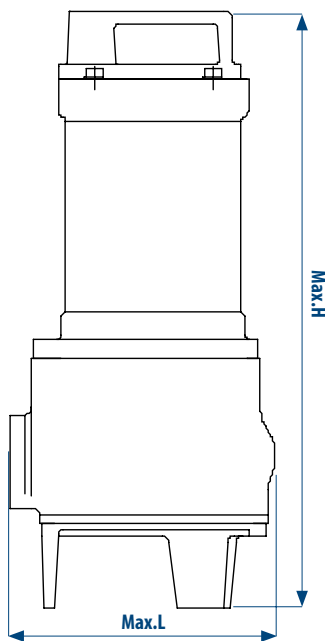
DCB Installation Kit
for S-WP0-65
 Article no.: 20210702

Discharge SPIGOT
for S-WP0-65 2½" Hose
 Article no.: 20210253

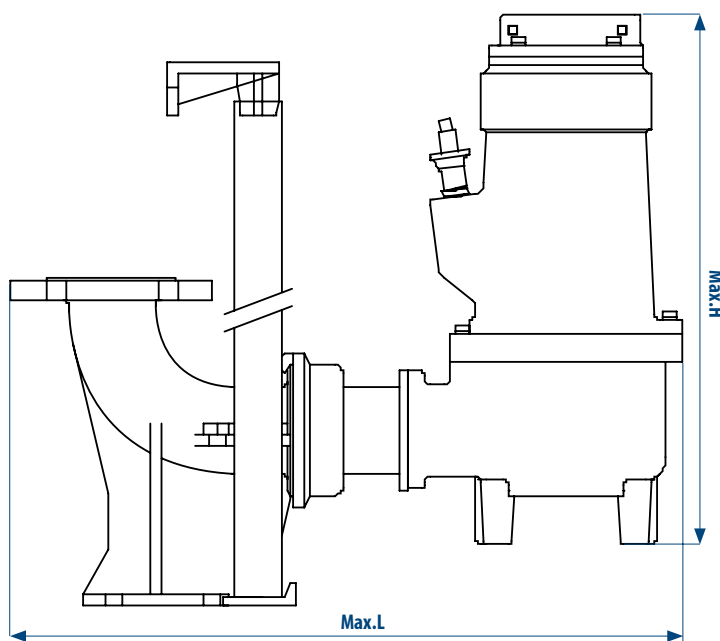
Threaded Flange Kit
for S-WP0-65 2½"
 Article no.: 20200112



DanPumps S-WP0-37



DanPumps S-WP0-50



DanPumps S-WP0-65

Also available as Grinder Pump

Type	kW P2	Rpm	Outlet flang
S-WP0-37	0.55	2850	1 ½"
S-WP0-37	0.55	2850	1 ½"
S-WP0-50	0.8	2850	2"
S-WP0-50	0.8	2850	2"
S-WP0-65-2	1.85	2850	DN65
S-WP0-65-2	2.2	2850	DN65
S-WP0-65-2	1.1	1450	DN65

Type	Max. Height	Max. Width	Max. Length
S-WP0-37	350 mm	150 mm	160 mm
S-WP0-37	350 mm	150 mm	160 mm
S-WP0-50	425 mm	165 mm	190 mm
S-WP0-50	425 mm	165 mm	190 mm
S-WP0-65-2	549 mm	220 mm	616 mm
S-WP0-65-2	549 mm	220 mm	616 mm
S-WP0-65-2	549 mm	220 mm	616 mm