

Industrial / Marine Pumps

DanPumps S-IP & S-MP-2L

Product Applications

DanPumps offers a wide range of pumps for various application within the marine sector as well as in industrial and chemical processing plants.

Design

The pump is based on a unique hydraulic design, combining maximum efficiency with the highest standards. The pump is designed in accordance with ISO 2858 standards.

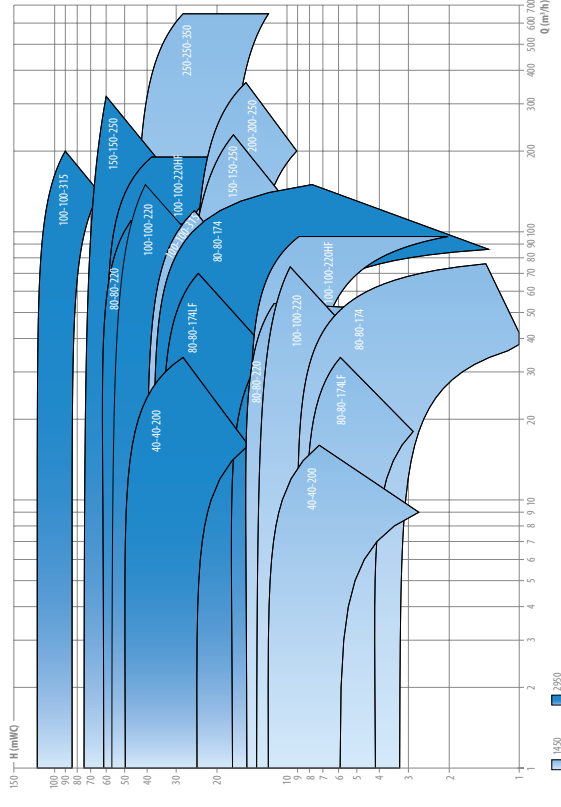
Materials	S-MP	S-IP
Pump house	Bronze/RG10	Cast iron
Back plate	Bronze/RG10	Cast iron
Impeller	Ni.Al.Bronze	Ni.Al.Bronze
Wear rings	Ni.Al.Bronze	Ni.Al.Bronze
Shaft	AISI 329	AISI 329

Operation standards:

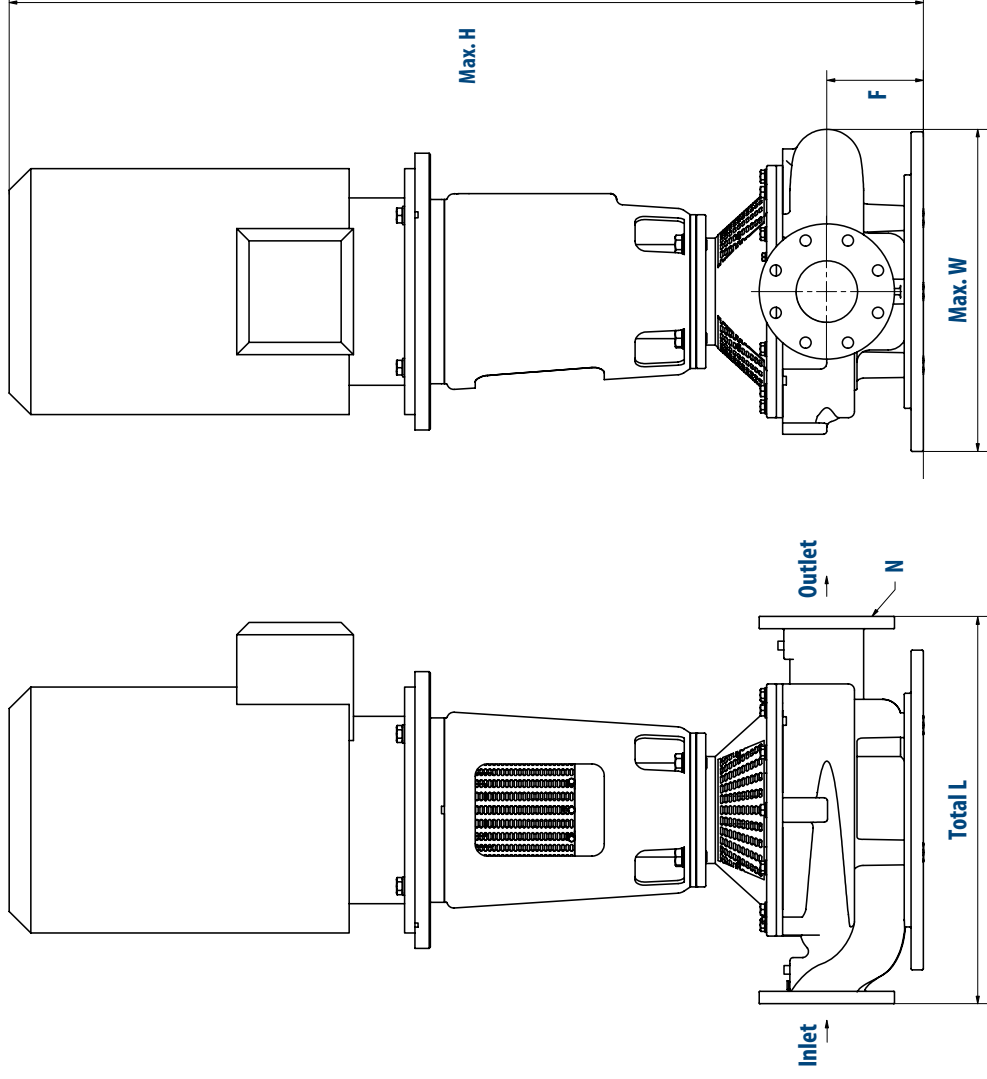
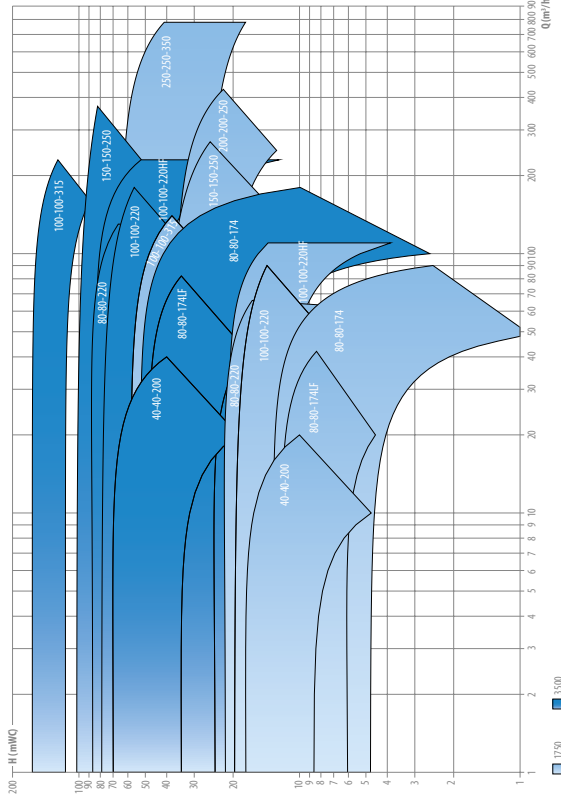
- Sturdy design for demanding duties.
- Inline pump, easy to remove from rotatory parts, utilizing the top pull-off principle.
- Designed with double bearings between the motor and impeller.
- The volute and the impeller design ensure high efficiency.
- Low noise level.
- Flexible design.
- Designed for easy maintenance.
- Long lifetime.
- Cost optimal.
- Connection flanges according to EN1092-1.
- Standard colour: Blue RAL 5010. Available in other colours upon request.



Performance Curves - Complete DanPumps S-MP/S-IP - 50 Hz



Performance Curves - Complete DanPumps S-MP/S-IP - 60 Hz



Type	F	Max. Height	Max. Width	Total Length	E (EN1092-1)
S-MP/S-IP 100-100-315-2L	122 mm	821 mm	350 mm	360 mm	DN32 + Dn40, PN10/PN16
S-MP/S-IP 150-150-250-2L	140 mm	965 mm	350 mm	400 mm	DN65/80/-100, PN10/PN16
S-MP/S-IP 200-200-250-2L	141 mm	1004 mm	350 mm	450 mm	DN65/80/-100, PN10/PN16
S-MP/S-IP 250-250-350-2L	175 mm	1058 mm	443 mm	500 mm	DN100, PN10/PN16